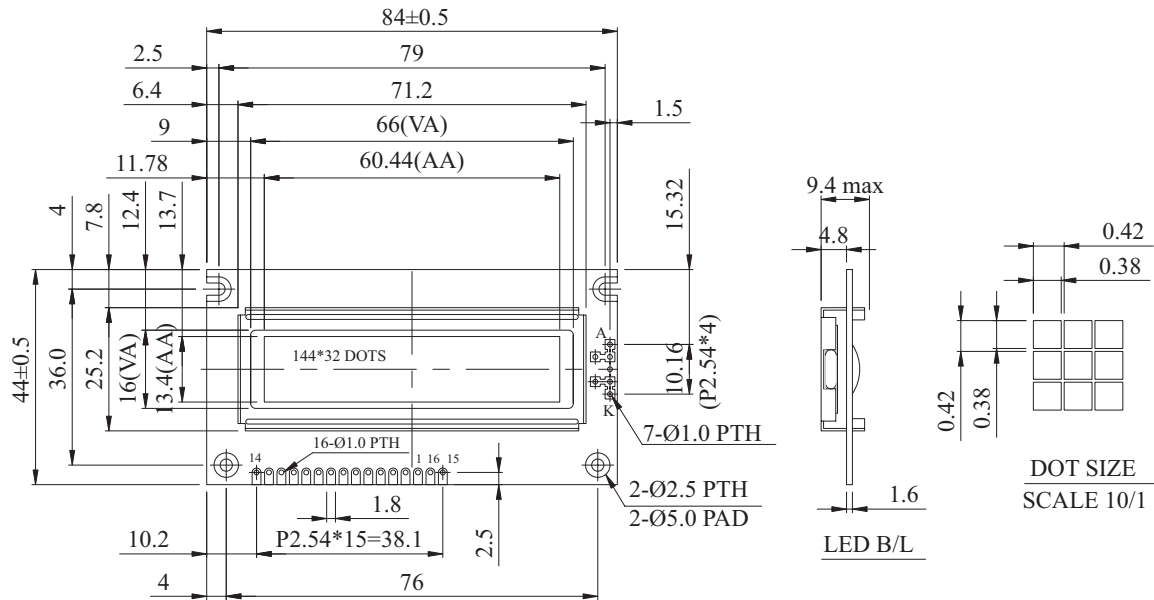




WG14432C Graphic 144x32 dots

Dimension drawing



Feature

1. Built-in controller (ST7920)
2. 1/32 duty cycle
3. +5.0V power supply
4. Chinese Version
5. Same size with WH1602A

Mechanical Data

Item	Standard Value	Unit
Module Dimension	84.0x44.0x9.4	mm
Viewing Area	66.0x16.0	mm
Dot Size	0.38x0.38	mm
Mounting hole	0.42x0.42	mm

Graphic type

Pin NO.	Symbol	Function
1	Vss	Ground
2	Vdd	Supply voltage for logic
3	Vo	NC
4	RS	Register select signal
5	R/W	H: read data L: write data
6	E	Enable signal
7	DB0	Data bus line
8	DB1	Data bus line
9	DB2	Data bus line
10	DB3	Data bus line
11	DB4	Data bus line
12	DB5	Data bus line
13	DB6	Data bus line
14	DB7	Data bus line
15	A	Positive Voltage Output
16	K	Power Supply for LED backlight(-)

Absolute Maximum Rating

Item	Symbol	Standard Value			Unit
		min.	typ.	max.	
Power Supply	VDD-VSS	4.75	5.0	5.25	V
Input Voltage	VI	0	---	VDD	V

Note: VSS=0 Volt, VDD=5.0 Volt.

Electronical Characteristics

Item	Symbol	Condition	Standard Value			Unit
			min.	typ.	max.	
Input Voltage	VDD	---	4.5	5.0	5.5	V
Supply Current	IDD	VDD=5V	---	1.2	1.5	mA
Recommended LC Driving Voltage for Normal Temp. Version module	VDD-VO	-20°C	---	---	6.0	V
		25°C	---	4.7	---	
		70°C	4.0	---	---	
CCFL Starting Voltage	VFLS	25°C	---	---	---	Vrms
CCFL Driving Voltage	VFLD	25°C	---	---	---	Vrms
CCFL Driving Current	IFLD	VFO=450Vrms 30KHZ	---	---	---	mA rms
LED Forward Voltage	VF	25°C	---	4.0	4.3	V
LED Forward Current	IF	25°C	---	130	260	mA
EL Power Supply Current	IEF	VeI=110VAC,400Hz	---	---	5.0	mA