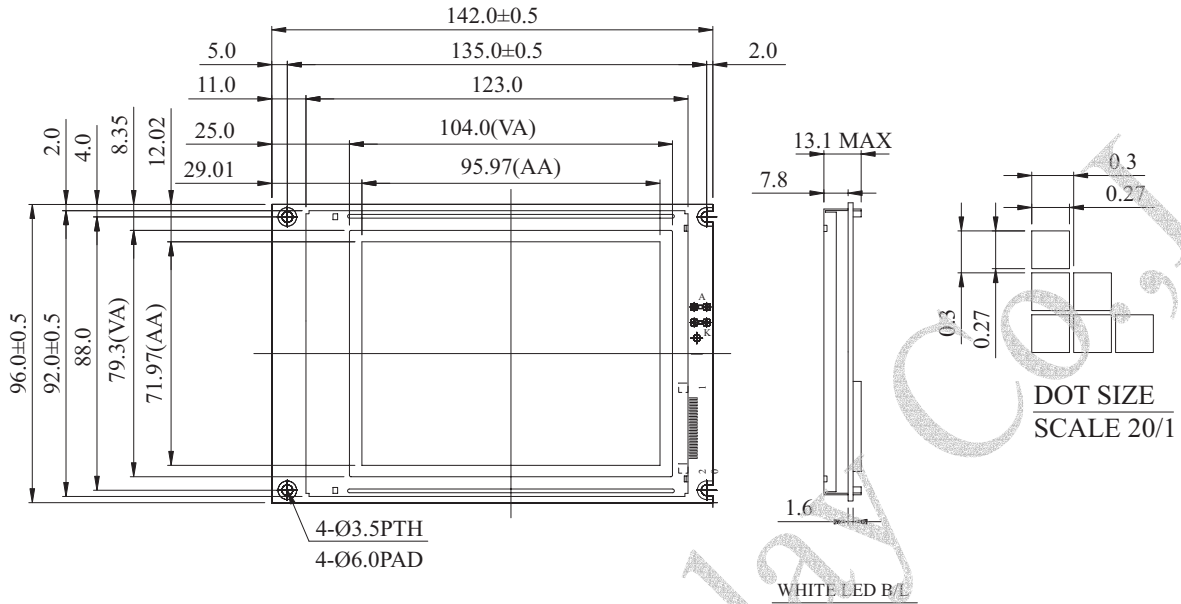




WG320240K Graphic 320x240 dots

Dimension drawing



Feature

1. Built-in controller Epson-S1D13700
2. Built-in Negative Voltage generator
3. 1/240 duty cycle
4. Touch screen option
5. Temperature compensation option
6. Same size with WG320240D

Mechanical Data

Item	Standard Value	Unit
Module Dimension	142.0x96.0	mm
Viewing Area	104.0x79.3	mm
Mounting hole	135.0x92.0	mm
Dot Pitch	0.30x0.30	mm

Graphic type

Pin NO.	Symbol	Function
1	Vss	Ground
2	Vdd	Power supply for logic
3	Vo	Driving voltage for LCD
4	A0	RD=L WR=H A0=L:Data Read A0=H:Status read RD=H WR=L A0=L:Data Write A0=H:Command write
5	WR	8080 family:Write signal,6800 family:R/W signal
6	RD	8080 family:Read signal,6800 family:Enable clock
7	DB0	Data bus line
8	DB1	Data bus line
9	DB2	Data bus line
10	DB3	Data bus line
11	DB4	Data bus line
12	DB5	Data bus line
13	DB6	Data bus line
14	DB7	Data bus line
15	CS	Chip select,Active L
16	RES	Controller reset signal,Active L
17	Vee	Negative Voltage Output
18	SEL1	H:68 L:80
19	BUSY	Check Busy
20	A	+5V for LED

Absolute Maximum Rating

Item	Symbol	Standard Value			Unit
		min.	typ.	max.	
Power Supply	VDD-VSS	4.75	5.0	5.5	V
Input Voltage	VI	0	---	VDD	V

Note: VSS=0 Volt , VDD=5.0 Volt .

Electronical Characteristics

Item	Symbol	Condition	Standard Value			Unit
			min.	typ.	max.	
Input Voltage	VDD	---	---	5.0	5.5	V
Supply Current	IDD	VDD=5V	45.0	55.0	65.0	mA
Recommended LC Driving Voltage for Normal Temp. Version module	VDD-VO	-20°C	---	---	26.1	V
		25°C	---	23.8	---	
		70°C	20.9	---	---	
CCFL Starting Voltage	VFLS	25°C	---	600	---	Vrms
CCFL Driving Voltage	VFLD	25°C	---	268	---	Vrms
CCFL Driving Current	IFLD	VFO=450Vrms 30KHZ	---	5.0	---	mAms
LED Forward Voltage	VF	25°C	---	5.0	5.5	V
LED Forward Current	IF	25°C	---	80.0	---	mA
EL Power Supply Current	IEF	Vel=110VAC,400Hz	---	---	5.0	mA