

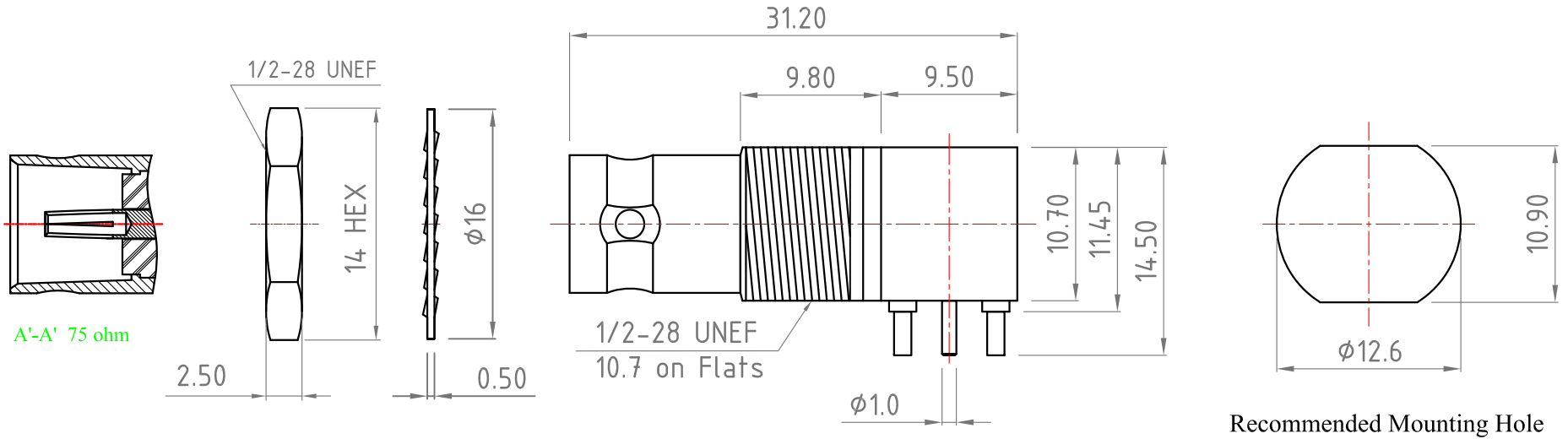
Revisions

Note: Revisions B; B-1; B-2..... On behalf of official Drawing.
 Revisions 1; 2; 3; 4..... On behalf of experiment's Drawing.

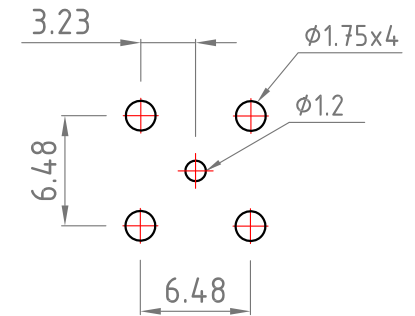
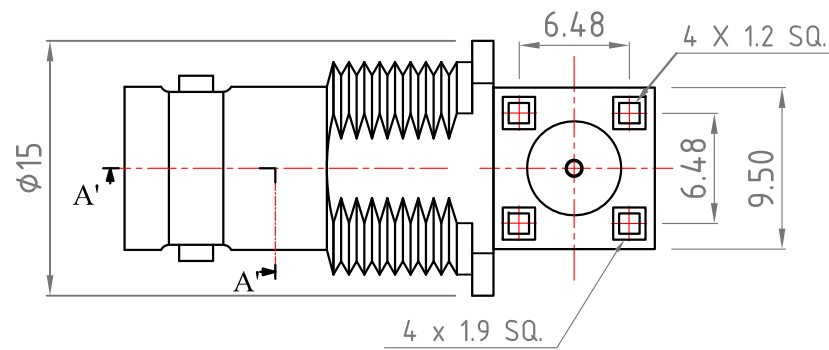
ISS	Symbol	Description	Date
B		CHE for New Drawing Frame & New PN System	2006/07/11

Note :

- All metal material is in compliance with RoHs Directive 2002/95/EC Annex 4 (1) Section 6 paragraph.
 所有金屬物料皆符合 RoHs 2002/95/EC號指令附件第4（1）第6項規定。



Recommended Mounting Hole



Recommended PCB Layout

RoHS COMPLIANCE

ITEM	Description	Material	Finish	Part Number	QTY	Scale	Abbr.	Date	Rev.	DWG. NO.	TITLE
6						NTS	ST	2011/07/22	B	HB256P0N03-R1	BNC R/A Bulkhead Jack PCB Type (75 ohm)
5	Nut	Brass	Nickel			Tolerances :		 All Dimensions in mm (Unless Otherwise Specified)	Customer P/N:		
4	Washer	Steel	Nickel			.X ±0.2	Drawn		Checked	Approved	Proprietary Note This document contains information proprietary to MAP, which is either copyrighted, or patent applied for, and / or protected by trade secret laws. This document or parts thereof, may not be used disclosed or reproduced in any form by any method, or for any purpose, without the written permission of MAP, Japan.
3	Pin	P. Bronze	Gold			.XX ±0.1	Mark		Ryan	G. Sun	
2	Insulator	PTFE	None			.XXX ±0.05					 Material All Procurement
1	Body	Brass	Nickel								