

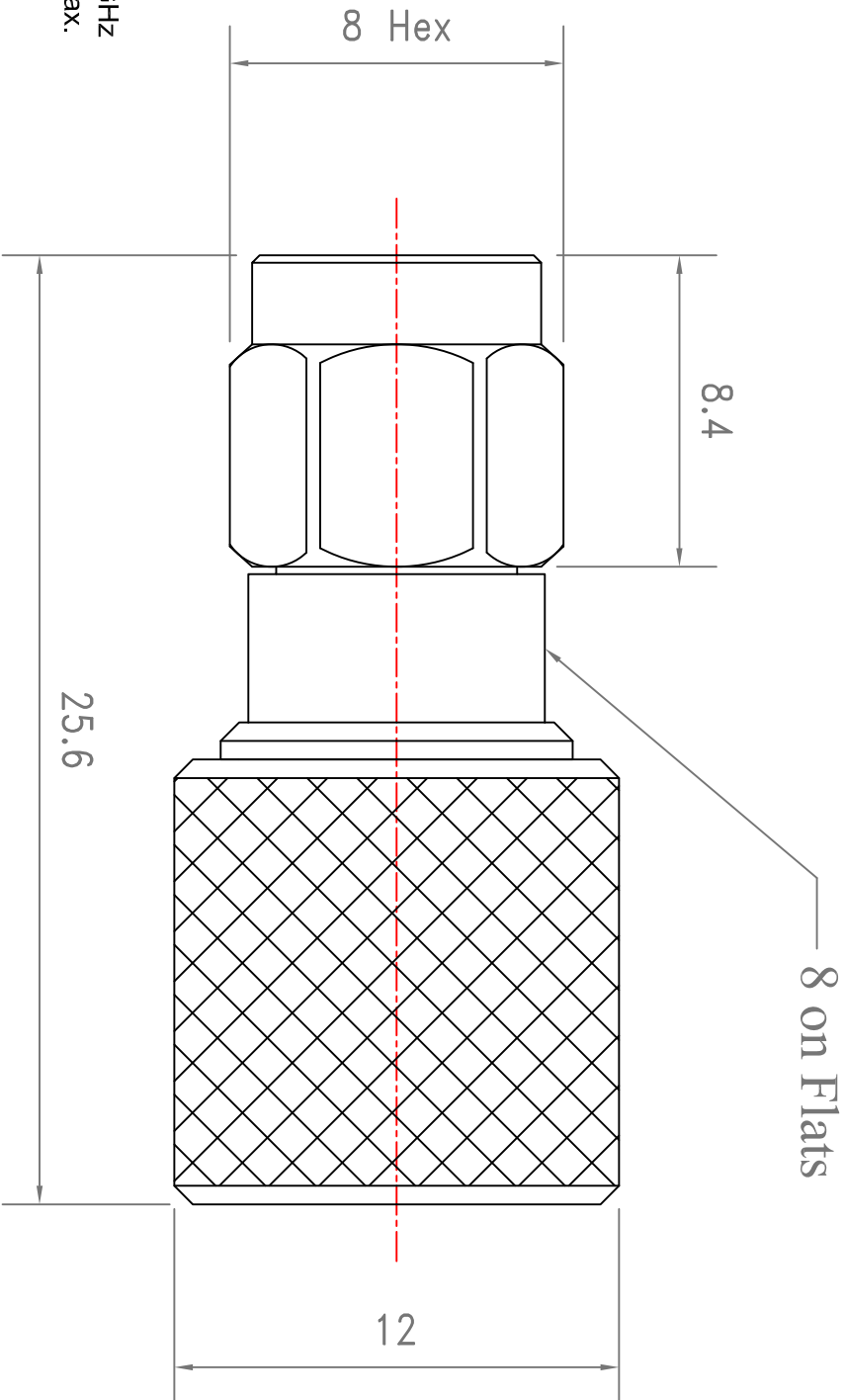
Revisions

ISS	Symbol	Description	Date
B		CHE for New Drawing Frame & New PN System	2006/07/11

Note :

- All metal material is in compliance with RoHS Directive 2002/95/EC Annex 4 (1) Section 6 paragraph. 所有金屬物料皆符合 RoHS 2002/95/EC 號指令附件第 4 (1) 第 6 項規定。

Outline Drawing



- Electrical Performance:
- Impedance: 50 ohm
 - Frequency Range: 0 to 18 GHz
 - VSWR: 0 to 10 GHz - 1.1 max.
10 to 18 GHz - 1.2 max.
 - Insulation Voltage: 500V
 - Operating Temperature range: 55°C ~ 125°C
 - Temperature coefficient (PPM/°C): ±50
 - Rated dissipation: 0.5W

ROHS COMPLIANCE

ITEM	Description	Material	Finish	Part Number	QTY
6					
5					
4	Pin	P. Bronze	10u" Gold		
3	Insulator	PTFE	None		
2	Body	Brass	Gold		
1	Shell	Brass	Gold		

Scale	Abbr.	Date	Rev.
NTS	ST	2011/04/28	B

Drawn	Checked	Approved
<i>Mark</i>	<i>Ryoun</i>	<i>Y. Yun</i>

DWG. NO.	TITLE
W50110016	SMA Plug, Terminator 50 ohm



Proprietary Note
This document contains information proprietary to MAP, which is either copyrighted, or patent applied for, and / or protected by trade secret laws.
This document or parts thereof, may not be used disclosed or reproduced in any form by any method, or for any purpose, without the written permission of MAP, Japan.

Tolerances :
.X ±0.2
.XX ±0.1
.XXX±0.05
All Dimensions in mm
(Unless Otherwise Specified)