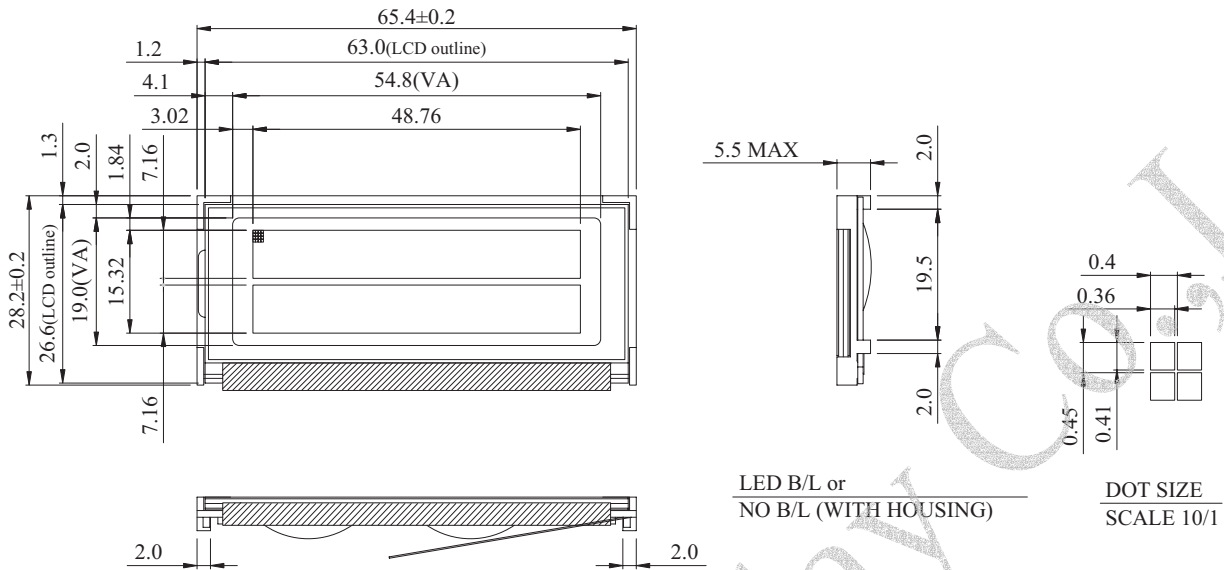




WG12232M Graphic 122x32 dots

Dimension drawing



Feature

1. Built-in controller (ST7920)
2. 1/32 duty cycle
3. +5.0V power supply
4. Chinese Version
5. Same size with WG12232B

Mechanical Data

Item	Standard Value	Unit
Module Dimension	59.0x29.3x5.5	mm
Viewing Area	52.0x15.0	mm
Dot Size	0.345x0.345	mm
Dot Pitch	0.375x0.375	mm

aphic
type

Pin NO.	Symbol	Function
1	Vdd	Power Supply(+3V,5V)
2	Vss	GND
3	Vo	Contrast Adjustment
4	RES	L: reset the LCM
5	E1	Enable chip1
6	E2	Enable chip2
7	R/W	H: read data L: write data
8	A0	H: D ₀ ~ D ₇ are display data L: D ₀ ~ D ₇ are display control data
9	DB0	Data bus line
10	DB1	Data bus line
11	DB2	Data bus line
12	DB3	Data bus line
13	DB4	Data bus line
14	DB5	Data bus line
15	DB6	Data bus line
16	DB7	Data bus line
17	A	+2.1V for LED
18	K	Power supply for B/L (0V)

Absolute Maximum Rating

Item	Symbol	Standard Value			Unit
		min.	typ.	max.	
Power Supply	VDD-VSS	4.75	5.0	5.25	V
Input Voltage	VI	0	---	VDD	V

Note: VSS=0 Volt, VDD=5.0 Volt.

Electrical Characteristics

Item	Symbol	Condition	Standard Value			Unit
			min	typ.	max.	
Input Voltage	VDD	---	4.5	5.0	5.5	V
Supply Current	IDD	VDD=5V	0.8	1.0	1.2	mA
Recommended LC Driving Voltage for Normal Temp. Version module	VDD-VO	-20°C	---	---	5.3	V
		25°C	---	4.8	---	
		70°C	4.2	---	---	
CCFL Starting Voltage	VFL	25°C	---	---	---	Vrms
CCFL Driving Voltage	VFLD	25°C	---	---	---	Vrms
CCFL Driving Current	IFLD	VFO=450Vrms 30KHz	---	---	---	mA _{rms}
LED Forward Voltage	VF	25°C	2.0	2.1	2.3	V
LED Forward Current	IF	25°C	80	100	130	mA
EL Power Supply Current	IEF	V _{el} =110VAC,400Hz	---	---	5.0	mA