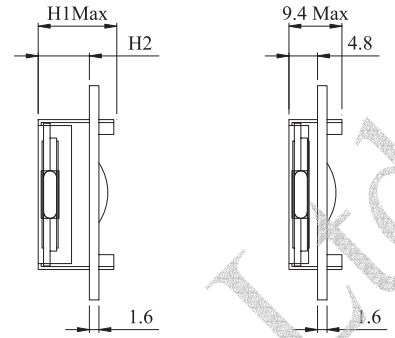
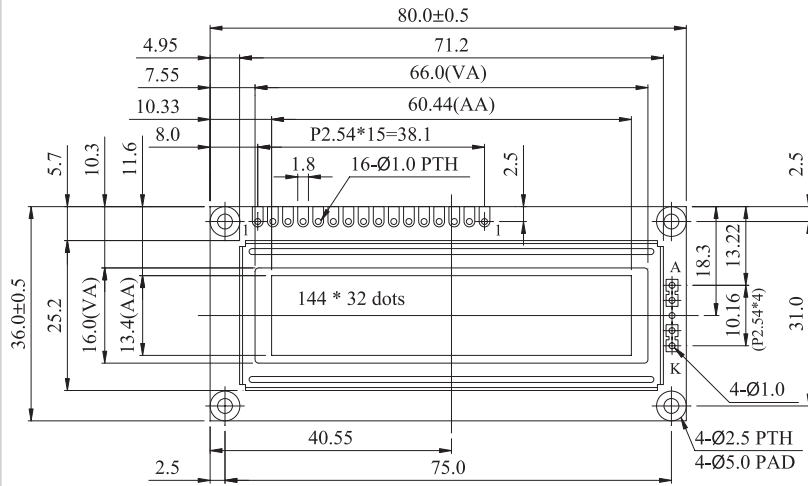


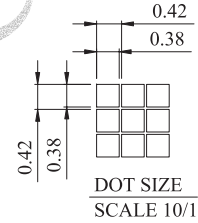
**WG14432B** Graphic 144x32dots

**Dimension drawing**



LED H/L B/L	
	High Low
H1	13.2 12.1
H2	8.6 7.5

EL or NO B/L



Graphic type

**Feature**

1. Built-in controller (ST7920)
2. +5V power supply
3. 1/32 duty cycle
4. LED can be driven by PIN15, PIN16 or A, K
5. Chinese Version
6. Same size with WH1602B

**Mechanical Data**

Item	Standard Value	Unit
Module Dimension	80x36	mm
Viewing Area	66.0x16.0	mm
Mounting hole	75x31	mm
Dot Size	0.38x0.38	mm
Dot Pitch	0.42x0.42	mm

Pin NO.	Symbol	Function
1	Vss	GND
2	Vdd	Power supply (+5V)
3	Vo	NC
4	RS	H/L register select signal
5	R/W	H/L Read / Write signal
6	E	H→L Enable signal
7	DB0	H/L Data bus line
8	DB1	H/L Data bus line
9	DB2	H/L Data bus line
10	DB3	H/L Data bus line
11	DB4	H/L Data bus line
12	DB5	H/L Data bus line
13	DB6	H/L Data bus line
14	DB7	H/L Data bus line
15	A	Power supply for B/L
16	K	Power supply for B/L

**Absolute Maximum Rating**

Item	Symbol	Standard Value			Unit
		min.	typ.	max.	
Power Supply	VDD-VSS	0	---	7.0	V
Input Voltage	VI	0	---	VDD	V

Note : VSS=0 Volt, VDD=5.0 Volt.

**Electronical Characteristics**

Item	Symbol	Condition	Standard Value			Unit	
			min.	typ.	max.		
Input Voltage	VDD	VDD=+5V	4.5	5.0	5.5	V	
Supply Current	IDD	VDD=5V	---	1.2	1.5	mA	
Recommended LC Driving Voltage for Normal Temp. Version module	Vo-Vss	-20°C	---	---	6.0	V	
		0°C	---	---	5.0		
		25°C	---	4.7	---		
		50°C	4.4	---	---		
		70°C	4.0	---	---		
LED Forward Voltage	VF	25°C	---	4.0	4.3	V	
LED Forward Current	IF	25°C	array	---	130	260	mA
			Edge	---	20	40	