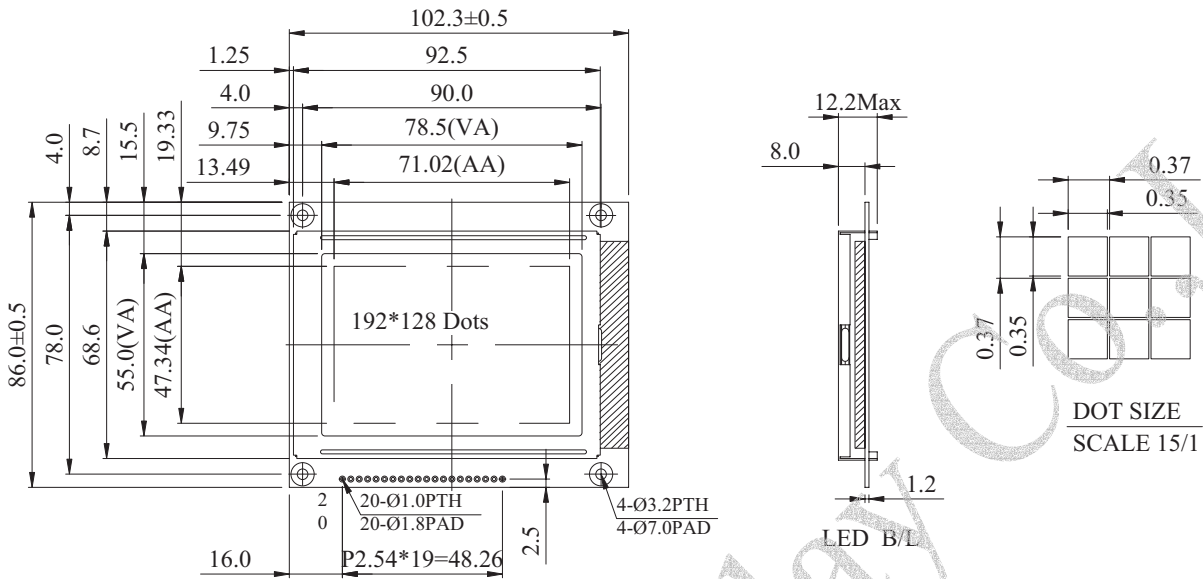




# WG192128A Graphic 192x128 dots

## Dimension drawing



### Feature

1. Built-in controller SANYO-(LC7981 or equivalent)
2. 1/128 duty cycle
3. Built-in N.V.

Pin NO.	Symbol	Function
1	Vss	Ground
2	Vdd	Supply voltage for logic
3	Vo	Operating voltage for LCD
4	RS	H: Data , L: Instruction
5	R/W	H: read data L: write data
6	E	Enable signal
7	DB0	Data bus line
8	DB1	Data bus line
9	DB2	Data bus line
10	DB3	Data bus line
11	DB4	Data bus line
12	DB5	Data bus line
13	DB6	Data bus line
14	DB7	Data bus line
15	/CS	Chip enable
16	/RST	Reset signal
17	VEE	Negative voltage output
18	NC	No connection
19	A	LED +
20	K	LED -

### Mechanical Data

Item	Standard Value	Unit
Module Dimension	102.3x86.0	mm
Viewing Area	75.8x55.0	mm
Dot Size	0.35x0.35	mm
Mounting hole	0.37x0.37	mm

### Absolute Maximum Rating

Item	Symbol	Standard Value			Unit
		min.	typ.	max.	
Power Supply	VDD-VSS	4.75	5.0	5.25	V
Input Voltage	VI	0	---	VDD	V

Note: VSS=0 Volt , VDD=5.0 Volt .

### Electronical Characteristics

Item	Symbol	Condition	Standard Value			Unit
			min.	typ.	max.	
Input Voltage	VDD	---	4.5	5.0	5.5	V
Supply Current	IDD	VDD=5V	---	1.0	---	mA
Recommended LC Driving Voltage for Normal Temp. Version module	VDD-VO	-20°C	---	---	5.8	V
		25°C	---	4.9	---	
		70°C	4.6	---	---	
CCFL Starting	VFLS	25°C	---	---	---	Vrms
CCFL Driving Voltage	VFLD	25°C	---	---	---	Vrms
CCFL Driving Current	IFLD	VfQ=450Vrms 30KHz	---	---	---	mAms
LED Forward Voltage	VF	25°C	3.4	3.5	3.6	V
LED Forward Current	IF	25°C	32	40	60	mA
EL Power Supply Current	IEF	Vel=110VAC:400Hz	---	---	5.0	mA

Graphic type