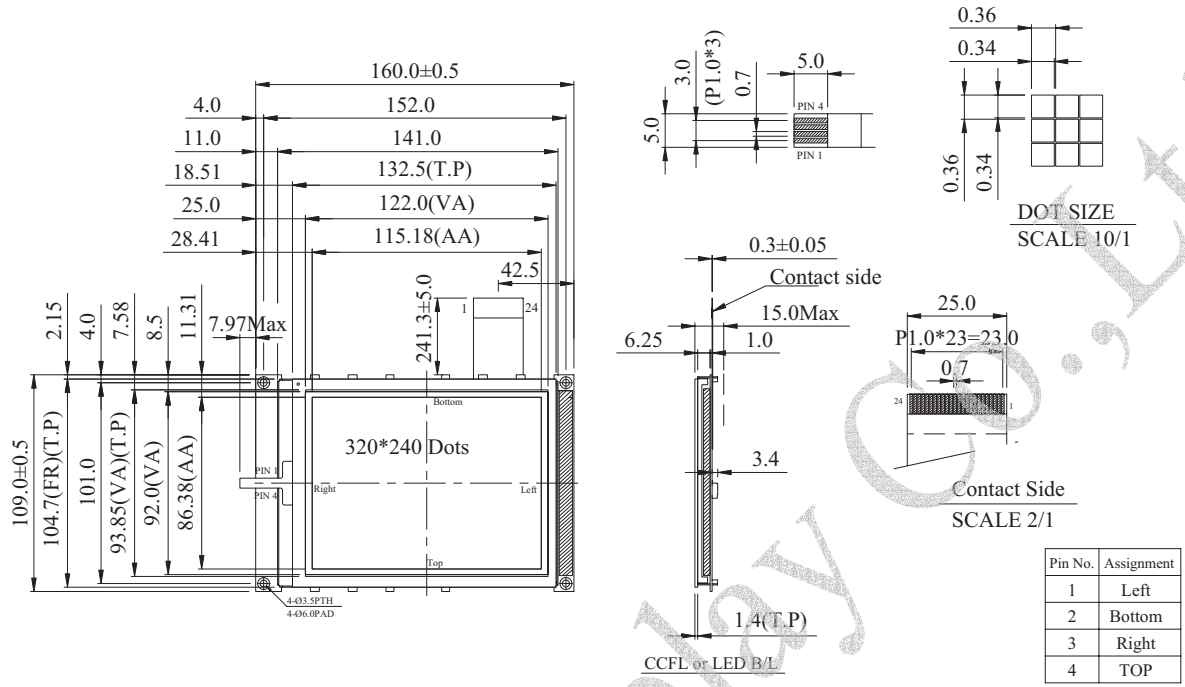


WG320240L Graphic 320x240 dots

Dimension drawing



Graphic type

Feature

1. No controller
2. 1/240 duty cycle
3. Touch screen option
4. +5.0V power supply

Mechanical Data

Item	Standard Value	Unit
Module Dimension	160.0x109.0	mm
Viewing Area	122.0x92.0	mm
Mounting hole	152.0x101.0	mm
Dot Pitch	0.36x0.36	mm

Pin NO.	Symbol	Function
1~4	DB0~3	Data bus line
5	Dispoff	H: ON L: OFF
6	FLM	Scan start-up signal
7	NC	No connection
8	LP	Data latch
9	CP	Data shift
10	Vdd	Power supply for logic
11	Vss	Ground
12	Vee	Power supply or logic
13	Vo	Driving voltage for LCD
14	FGND	FIm ground
15	X1	Control touch panel
16	X2	Control touch panel
17	Y1	Control touch panel
18	Y2	Control touch panel
19	NC	No connection
20	A	Power supply for B/L
21	K	Power supply for B/L
22~24	NC	No connection

Absolute Maximum Rating

Item	Symbol	Standard Value			Unit
		min.	typ.	max.	
Power Supply	VDD-VSS	4.75	5.0	5.5	V
Input Voltage	VI	0	---	VDD	V

Note: VSS=0 Volt , VDD=5.0 Volt .

Electronical Characteristics

Item	Symbol	Condition	Standard Value			Unit
			min.	typ.	max.	
Input Voltage	VDD	---	---	5.0	---	V
Supply Current	IDD	VDD=5V	---	7.5	---	mA
Recommended LC Driving Voltage for Normal Temp. Version module	VDD-VO	-20°C	---	---	26.1	V
		25°C	---	---	23.8	
		70°C	---	---	20.9	
CCFL Starting	VFLS	25°C	---	---	---	Vrms
CCFL Driving Voltage	VFLD	25°C	---	---	---	Vrms
CCFL Driving Current	IFLD	VfQ=450Vrms 30KHZ	---	---	---	mA rms
LED Forward Voltage	VF	25°C	---	3.5	---	V
LED Forward Current	IF	25°C	---	140	160	mA
EL Power Supply Current	IEF	Vel=110VAC;400Hz	---	---	5.0	mA