

For reference only

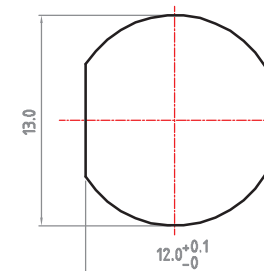
Revisions

Note: Revisions B; B-1; B-2..... On behalf of official Drawing.
Revisions 1; 2; 3; 4..... On behalf of experiment's Drawing.

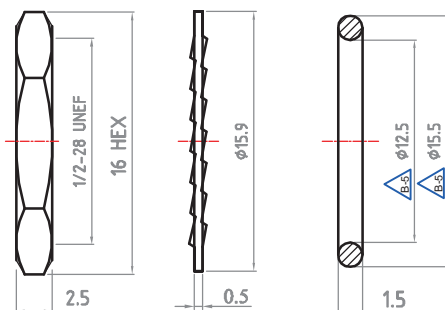
ISS	Symbol	Description	Date
B		CHE for New Drawing Frame & New PN System	2006/07/11
B-1		Add New Dimension 9mm on Body. CHE for New Dimensions ; from 17.5Hex & 31.5 & 15.3 Hex to 17Hex & 31.5 & 15.2. CHE for Washer Material ; from Steel to P. Bronze. CHE Note 5 Content ; from 30 PSI to 5 PSI.	2009/06/25
B-2		Add Dimensions 1.20 & $\phi 12.45$ & $\phi 15.20$.	2012/10/09
B-3		CHE for O-ring Dimension; from 1.8 to 1.5.	2012/10/11
B-4		CHE for Ferrule Crimp Dimension from 3.38 to 3.25	2012/10/12
B-5		CHE for Body Dimensions; from $\phi 15.2$ to $\phi 16.15$, from $\phi 12.45$ to $\phi 12.5$. CHE for O-Ring Dimensions; from $\phi 15.2$ to $\phi 15.5$, from $\phi 11.9$ to $\phi 12.5$.	2012/10/29

Notes :

- Any Electrical, Mechanical or Environmental Test Per MIL-PRF-39012F Should be Spotlighted, As We May Not Have All Testing Equipment to Cover All of It.
- Single Crimp: Recommended Dimensions Provided for Ferrule.
Dual Crimp: Recommended Dimensions Provided for Ferrule And Center Pin.
Please Advise Single/Dual in Advance to Avoid Any Inconvenience.
- All Metal Materials Are in Compliance with RoHS 2 Directive 2011/65/EU Annex III Section 6 Paragraph.
- Recommended Crimped Hand Tool : for P/N - HT-801J
- Leakage Test: Must Resist 5 PSI when it's installed into a box and immersed into a water tank.
- Waterproof Class : **IP67**



Recommended Mounting Hole



Electrical :

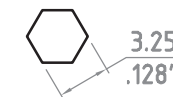
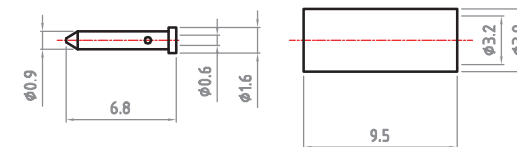
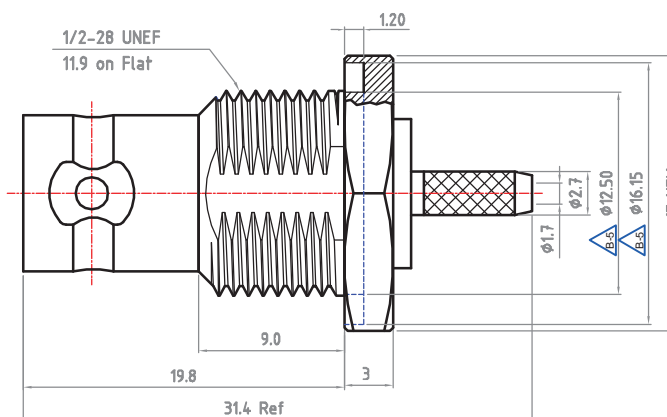
Impedance : 50 ohm
Frequency Range : 0-4 GHz .
Voltage Rating : ≥ 500 V rms (depending on cable)
Insulator Resistance : ≥ 5 G Ω
Dielectric Withstanding Voltage : 1500 V rms .
Contact Resistance : Center Contact ≤ 1.5 m Ω .
Outer Contact ≤ 1 m Ω .

Environmental :

Temperature Range : -65°C to 165°C
Corrosion(Salt Spray) : MIL-STD-202, Method 101, Cond. B
Thermal Shock : MIL-STD-202, Method 107, Cond. B
Mechanical : MIL-STD-202, Method 213, Cond. G
Vibration : MIL-STD-202, Method 204, Cond. B

Mechanical :

Mating : Bayonet Coupling.
Recommended Mating Torque : 0.6-2.5 lbs
Coupling Nut Retention Force : ≥ 101.2 lbs



Recommended Cable Stripping Dimensions

Recommended Crimping Dimensions for Ferrule

Finish [Unit of Plating Thickness Is in Micro Inch(μ)]

- Nickel Plating Thk. : 80 μ " min. (Under Plating)
- Gold Plating Thk. : 2 μ " max. (Over Finish 1)

ITEM	Description	Material	Finish	Part Number	QTY
7	Nut	Brass	Finish 1		
6	Washer	P. Bronze	Finish 1		
5	O-Ring	Si-Rubber	Black		
4	Ferrule	Brass	Finish 1		
3	Inner Contact	Brass	Finish 1/2		
2	Insulator	PTFE	None		
1	Body	Brass	Finish 1		

Scale	Abbr.	Date	Rev.	DWG. NO.	TITLE	
NTS	ST	2016/08/31	B-5	B220A4N01-M-5	BNC B/H Jack, Single Crimp Type(IP67) for RG174,188,316;B7805A;URM95 Cable	
Tolerances :				Customer P/N:		
.X ± 0.2 .XX ± 0.1 .XXX ± 0.05				All Dimensions in mm (Unless Otherwise Specified)		
Drawn	Checked	Approved		Proprietary Note This document contains information proprietary to MAP, which is either copyrighted, or patent applied for, and / or protected by trade secret laws. This document or parts thereof, may not be used, disclosed or reproduced in any form by any method, or for any purpose, without the written permission of MAP, Japan		
Louis	Mark	G. Sun				
2016/08/31	2016/08/31	2016/08/31				