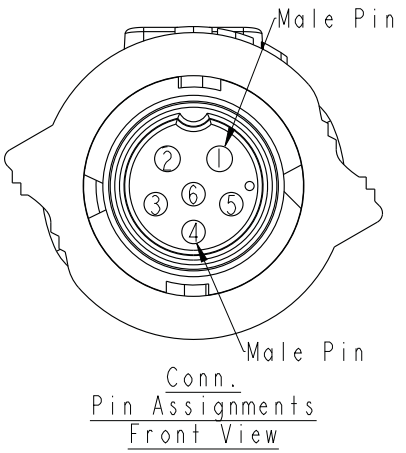
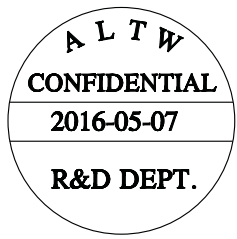
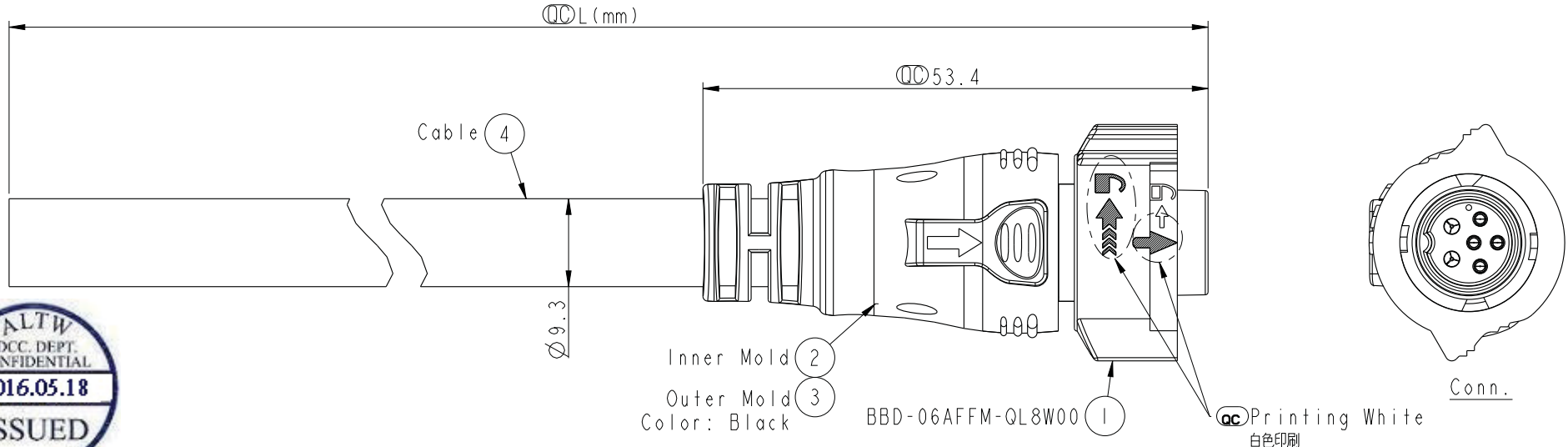


*For reference only*

REV.	ECN NO.	DATE	SIGN	DESCRIPTION
A	Initial Release	2016-05-07	Spring	Change Rev.02 To Rev.A



6	Blue (26AWG)	藍	Twist 對線
5	Red (26AWG)	紅	
4	Green (26AWG)	綠	Twist 對線
3	White (26AWG)	白	
2	Black (16AWG)	黑	
1	White (16AWG)	白	
Conn.	Wire Color		
	Pin Out		

BBD-06AFMM-QL8FXX  
 XX:01~99Meters  
 01:01Meter  
 02:01Meters  
 :  
 :  
 99:99Meters  
 Cable Length(L):01~99Meters

Note:  
 \*  $\varnothing$  Important Dimension To Check.  
 \* Waterproof Rate: IP68(Mated)  
 In 1 meter water within 24 hours  
 \* Working Voltage Rating:  
 Power: AC/DC 300V  
 Data: DC 30V  
 \* Working Current:  
 Power: 10A  
 Data: 05A  
 \* Housing: Nylon+GF, Black.  
 \* Pin: Copper Alloy, Gold Plated.  
 \* O-Ring: Silicone, Gray.  
 \* Cable: UL21996 16AWG\*2C+(26AWG\*2P+AL/MY)  
 +F+AL/MY, PVC Jacket, OD=9.3, Black.  
 \* Cable Length Tolerance: 01M: ±40mm  
 02M~05M: ±60mm  
 06M~10M: ±100mm  
 11M~30M: ±200mm  
 31M~99M: ±500mm

UNIT:mm  
 TOLERANCE  
 ±0.5mm

TITLE			
CIRCULAR, STANDARD, CABLE X-LOK (2+4)PIN F CONN M PIN			
SCALE	SIZE	SHEET	OF
3:2	A4	1	1
REV.	WC-REV.	☉: Inspection item	
A	A.1		

**Amphenol LTW**  
 安費諾亮泰企業股份有限公司

ITEM NO	DRAWN BY	DATE
BBD-06AFMM-QL8FXX	Spring	2016-05-07
DWG NO	CHECKED BY	DATE
BBD-06AFMM-QL8FXX	Fisher	2016-05-07
CUSTOMER	APPROVED BY	DATE
ALTW	Kevin	2016-05-07

THIS DOCUMENT IS SUBJECT TO CHANGE WITHOUT NOTICE. IT IS CONFIDENTIAL AND A PROPERTY OF Amphenol LTW. DISCLOSURE TO THIRD PARTY HAS TO BE AUTHORIZED BY Amphenol LTW.