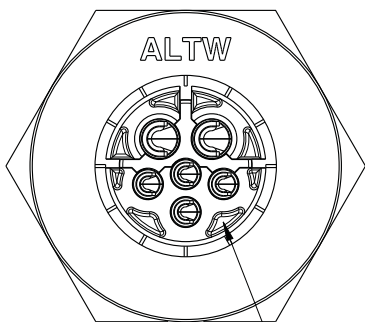


For reference only

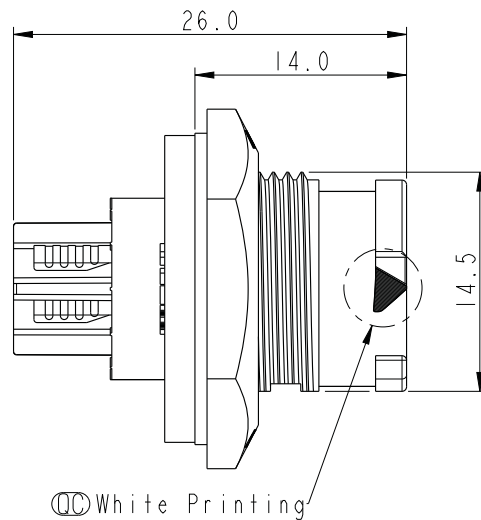
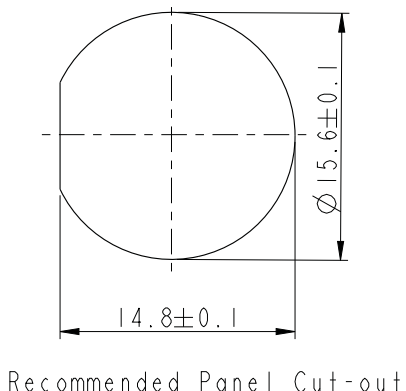
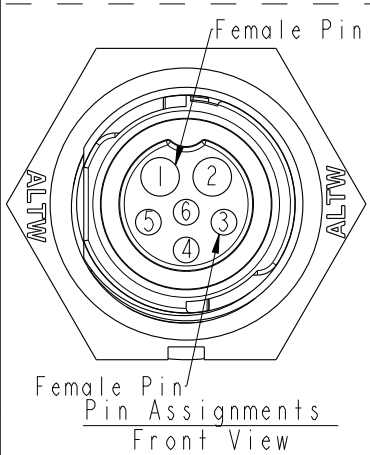
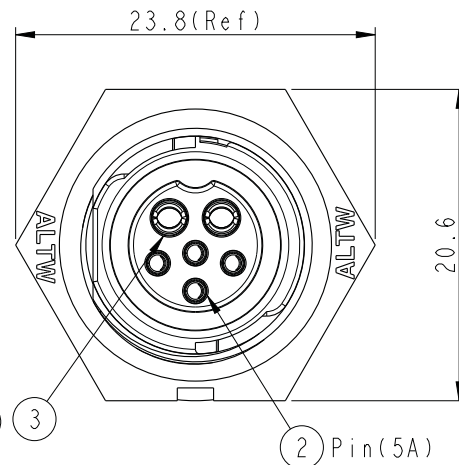
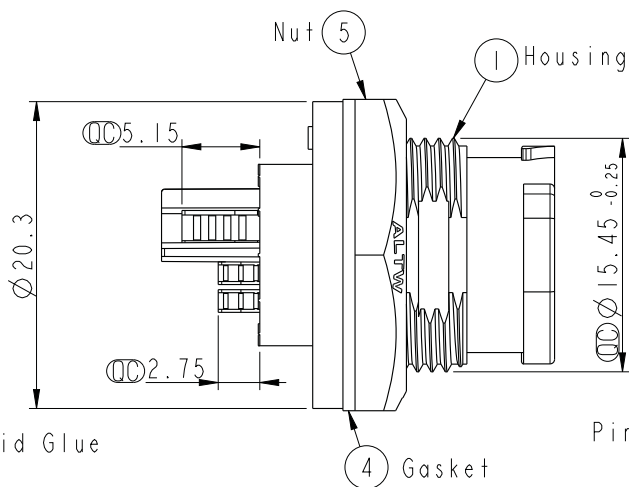
REV.	ECN NO.	DATE	SIGN	DESCRIPTION
A	Initial Release	2016-05-07	Spring	Change Rev.01 To Rev.A

ALTW
CONFIDENTIAL
2016-05-07
R&D DEPT.

ALTW
DCC. DEPT.
CONFIDENTIAL
2016.05.18
ISSUED

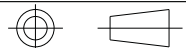


Whit Liquid Glue



- Note:
- * \varnothing Important Dimension To Check.
 - * Waterproof Rate: IP68(Unmated)
In 1 meter water within 24 hours
 - * Working Voltage Rating:
Power AC/DC 300V
Data DC 30V
 - * Working Current:
Power: 10A
Data: 05A
 - * Housing: Nylon+GF, Black
 - * Pin: Copper Alloy, Gold Plated
 - * Gasket: Silicone, Gray
 - * Panel Thickness Max: 4.0mm

UNIT:mm
TOLERANCE
 ± 0.25



TITLE STANDARD, RECEPTACLE (FRONT) X-LOK (2+4) PIN M CONN F PIN			
SCALE 2:1	SIZE A4	SHEET 1 OF 1	
REV. A	WC-REV. A.4	\varnothing : Inspection item	

Amphenol LTW
安費諾亮泰企業股份有限公司

ITEM NO BBD-06PMFS-QC8001	DRAWN BY Spring	DATE 2016-05-07
DWG NO BBD-06PMFS-QC8001	CHECKED BY Fisher	DATE 2016-05-07
CUSTOMER ALTW	APPROVED BY Kevin	DATE 2016-05-07

THIS DOCUMENT IS SUBJECT TO CHANGE WITHOUT NOTICE. IT IS CONFIDENTIAL AND A PROPERTY OF Amphenol LTW. DISCLOSURE TO THIRD PARTY HAS TO BE AUTHORIZED BY Amphenol LTW.