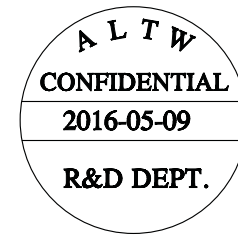
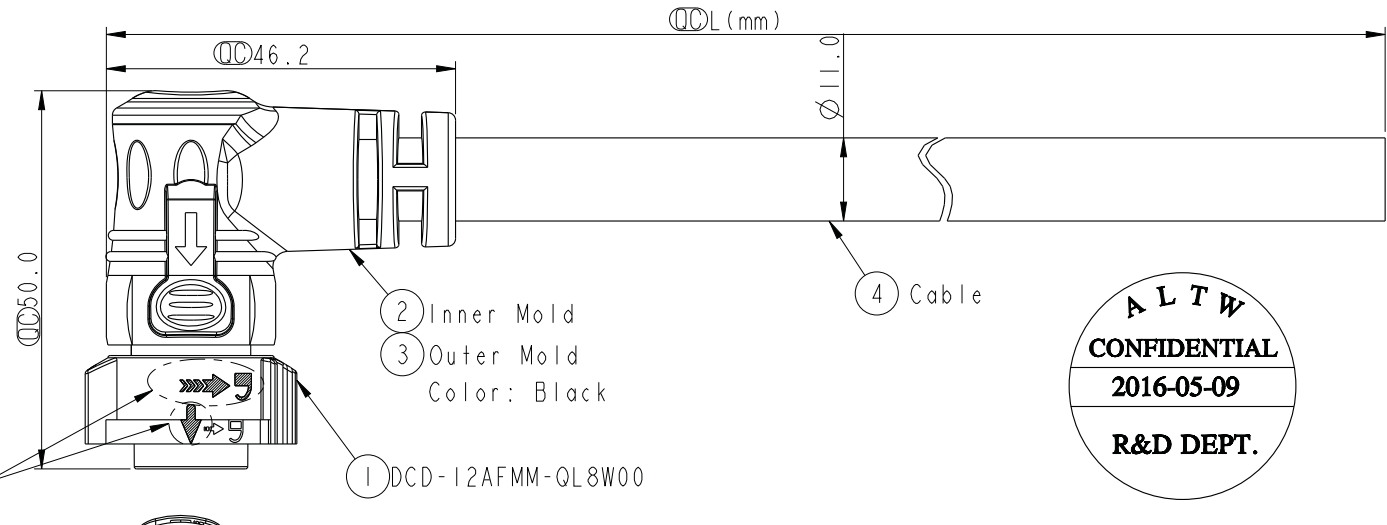
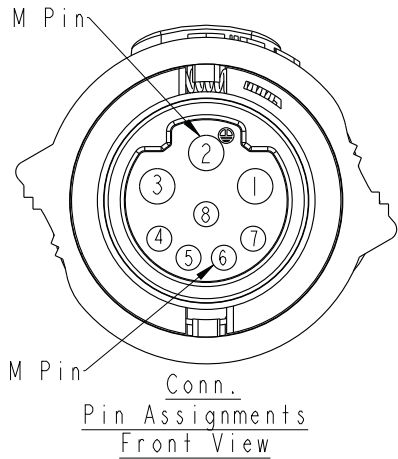
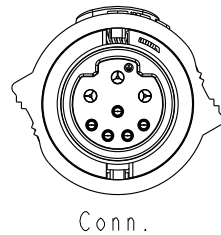


For reference only

REV.	ECN NO.	DATE	SIGN	DESCRIPTION
A	Initial Release	2016-05-09	Spring	Change Rev.01 To Rev.A



White Printing
白色印刷



8	Drain	(26AWG)	地線	
7	Blue	(26AWG)	藍	Twist 對線
6	Red	(26AWG)	紅	
5	Green	(26AWG)	綠	Twist 對線
4	White	(26AWG)	白	
3	Black	(16AWG)	黑	
2	Green	(16AWG)	綠	
1	White	(16AWG)	白	
Conn.	Wire Color			
	Pin Out			

CBD-08AFMM-QR8FXX

XX : 01~99Meters
01 : 01Meter
02 : 02Meters
:
:
99 : 99Meters

Cable Length(L): 01~99Meters

Note:

- * Important Dimension To Check.
- * Waterproof Rate: IP68(Mated, 1M/24hr)
- * Working Voltage Rating:
Power AC/DC 300V
Data DC 30V
- * Working Current:
Power: 10A
Data: 05A
- * Housing: Nylon+GF, Black
- * Pins: Copper Alloy, Gold & Ni Plated
- * Cable: UL21996 3C*16AWG+(26#*2P+D+AL)+F+AL/MY, PVC Jacket, OD=11.0, Black.
- * Cable Length Tolerance: 01M:±40mm
02M~05M:±60mm
06M~10M:±100mm
11M~30M:±200mm
31M~99M:±500mm

UNIT:mm	
TOLERANCE	±0.5

TITLE X-Lok C Size Cable Molding(90°) 8 Pin F Connector M Pin			
SCALE	1:1	SIZE	A4
REV.	A	WC-REV.	A.1
			☉: Inspection item

Amphenol LTW
安費諾亮泰企業股份有限公司

ITEM NO	DRAWN BY	DATE
	Spring	2016-05-09
DWG NO	CHECKED BY	DATE
CBD-08AFMM-QR8FXX	Fisher	2016-05-09
CUSTOMER	APPROVED BY	DATE
ALTW	Kevin	2016-05-09

THIS DOCUMENT IS SUBJECT TO CHANGE WITHOUT NOTICE. IT IS CONFIDENTIAL AND A PROPERTY OF AMPHENOL LTW. DISCLOSURE TO THIRD PARTY HAS TO BE AUTHORIZED BY AMPHENOL LTW.