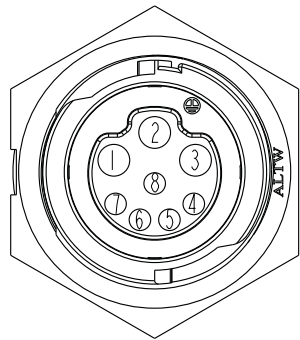
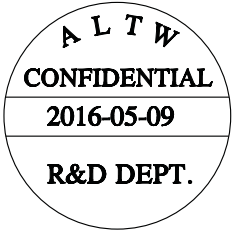
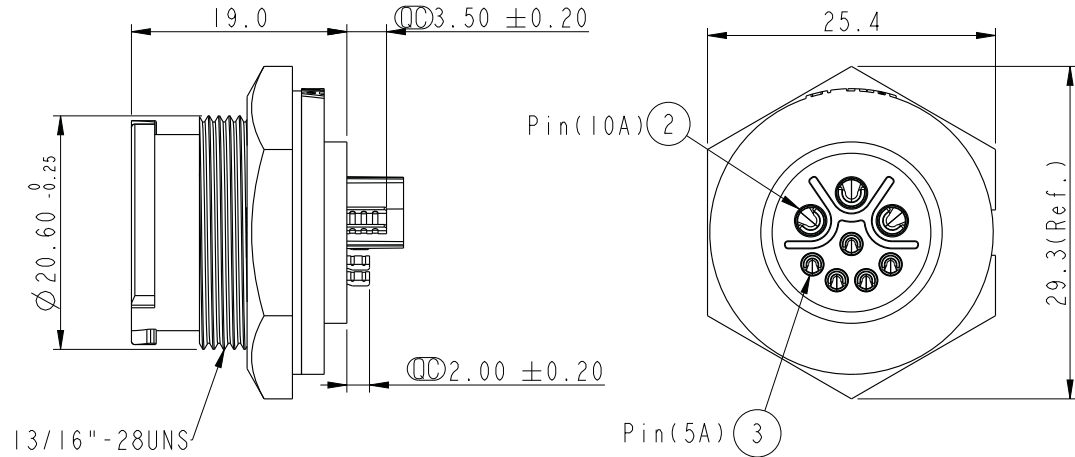
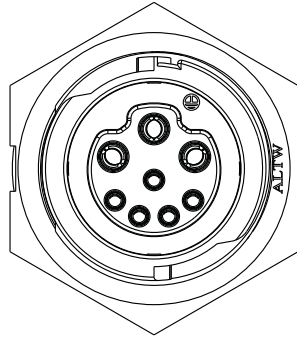
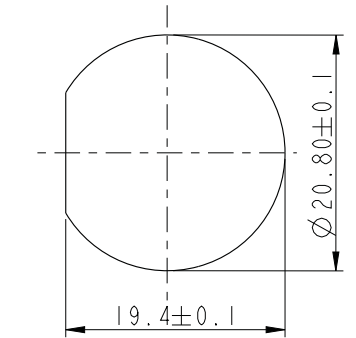


For reference only

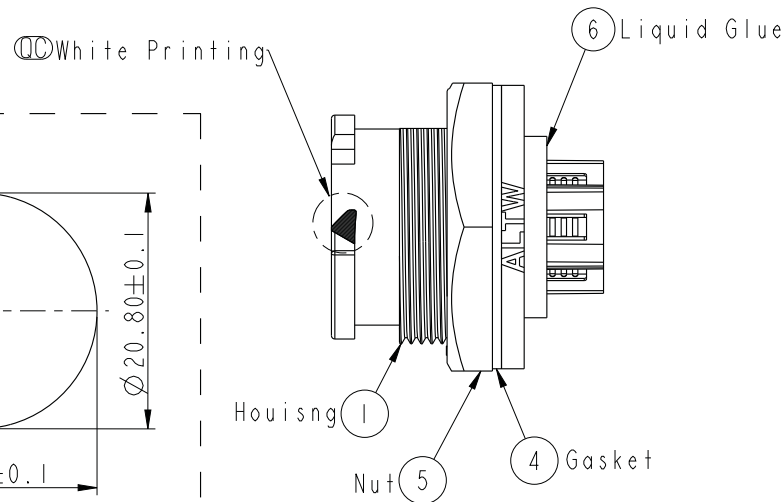
REV.	ECN NO.	DATE	SIGN	DESCRIPTION
A	Initial Release	2016-05-09	Spring	Change Rev.01 To Rev.A



Pin Assignments
Front View



Recommender Panel Cut-Out



- Note:
- * \varnothing Important Dimension To Check.
 - * Waterproof Rate: IP68(Unmated)
In 1 meter water within 24 hours
 - * Working Voltage Rating:
Power AC/DC 300V
Data DC 30V
 - * Working Current:
Power: 10A
Data: 05A
 - * Housing: Nylon+GF, Black
 - * Pin: Copper Alloy, Gold Plated
 - * Nut: Nylon+GF, Black
 - * Gasket: Silicone, Gray
 - * Use without waterproof cap
panel thickness max:4.2mm
 - * Use with waterproof cap
panel thickness max:3.0mm

UNIT:mm TOLERANCE ±0.25

TITLE X-Lok C Size Hybrid Receptacle 8 Pin M Connector F Pin			
SCALE 3:2	SIZE A4	SHEET 1 OF 1	
REV. A	WC-REV. A.2	QC: Inspection item	

Amphenol LTW
安費諾亮泰企業股份有限公司

ITEM NO. CBD-08PMFS-QC8001	DRAWN BY Spring	DATE 2016-05-09
DWG NO. CBD-08PMFS-QC8001	CHECKED BY Fisher	DATE 2016-05-09
CUSTOMER ALTW	APPROVED BY Kevin Hu	DATE 2016-05-09

THIS DOCUMENT IS SUBJECT TO CHANGE WITHOUT NOTICE. IT IS CONFIDENTIAL AND A PROPERTY OF AMPHENOL LTW. DISCLOSURE TO THIRD PARTY HAS TO BE AUTHORIZED BY AMPHENOL LTW.