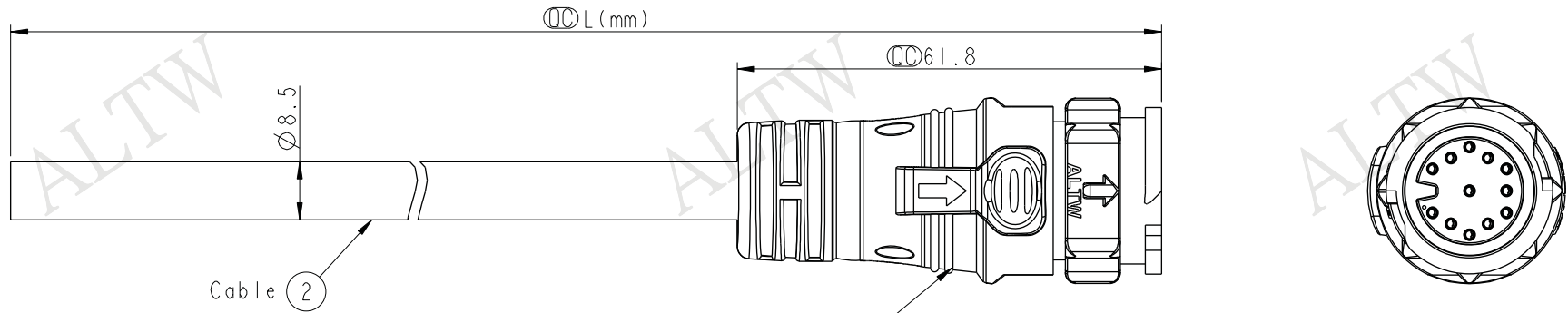


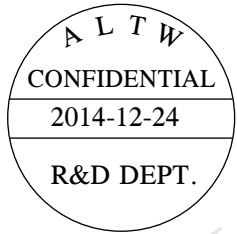
For reference only

REV.	ECN NO.	DATE	SIGN	DESCRIPTION



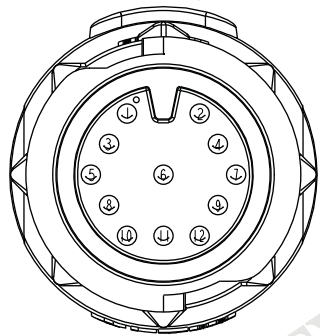
DD-12AMFM-QL8W00
Color: Black

Conn.



Note:

- * \varnothing Important Dimension To Check.
- * Working Voltage Rating: AC 300 V
- * Working Current Rating: 5A
- * Flame Class: UL94V-0 (UV Resistance)
- * Waterproof Rate: IP68(Mated)
- * Housing: Nylon+GF,Black
- * Female Pin: Copper Alloy, Gold Plated
- * Cable: UL21388 20AWG*12C+AL.Mylar Black, PVC Jacket UV Resistant, OD=8.5
- * Cable Length Tolerance: 01M:±40mm
02M~05M:±60mm
06M~10M:±100mm
11M~30M:±200mm
31M~99M:±500mm



Pin Assignments
Front View

12	Light Green	淡綠
11	Pink	粉紅
10	White	白
9	Gray	灰
8	Purple	紫
7	Blue	藍
6	Green	綠
5	Yellow	黃
4	Orange	橙
3	Red	紅
2	Brown	棕
1	Black	黑
Conn.	Wire Color	Pin Out

DD-12AMFM-QL8DXX

XX : 01~99Meters
01 : 01Meter
02 : 02Meters
:
:
:
99 : 99Meters

Cable Length(L): 01~99Meters

UNIT:mm	
TOLERANCE	±0.5

TITLE X-Lok D Size Cable Molding 12Pin M Connector F Pin(5A)			
SCALE 1:1	SIZE A4	SHEET 1 OF 1	
REV. A	WC-REV. A.1	\varnothing : Inspection item	

Amphenol LTW
安費諾亮泰企業股份有限公司

ITEM NO	DRAWN BY Micky	DATE 2014-12-24
DWG NO DD-12AMFM-QL8DXX	CHECKED BY Spring	DATE 2014-12-24
CUSTOMER ALTW	APPROVED BY Kevin	DATE 2014-12-24

THIS DOCUMENT IS SUBJECT TO CHANGE WITHOUT NOTICE. IT IS CONFIDENTIAL AND A PROPERTY OF AMPHENOL LTW. DISCLOSURE TO THIRD PARTY HAS TO BE AUTHORIZED BY AMPHENOL LTW.