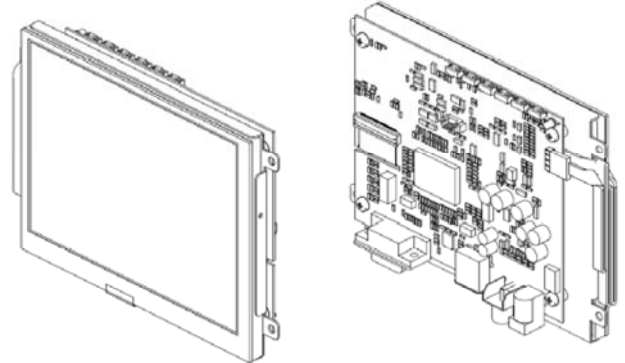


## 5.6" Digital TFT-LCD Module

### BRIEF SPECIFICATION



#### ◇ General Description

- 5.6" Digital TFT LCD
- Ultra Compact
- NTSC/PAL/SECAM Video Auto Switch
- Single Operation Voltage +12V
- CVBS / S-Video (Option) / Analog RGB (PC Mode) Signal Input
- All Functions can be controlled by UART
- Support Touch Screen Function (Option)

#### ◇ Specifications

Parameter	Specifications	Unit
Screen Size	5.6 (diagonal)	inch
Display Format	640 x (R.G.B) x 480	dot
Active Area	112.896 (W) x 84.672 (H)	mm
Pixel Pitch	0.1764 (W) x 0.1764 (H)	mm
Viewing Angle	-70~70(H); -70~50(V)(Typ.)	deg
Contrast Ratio	500(Typ.)	
Brightness	350(Typ.)	Cd/m <sup>2</sup>
Brightness With RTP	280(Typ.)	
LED Life Time	20000(Min)	Hours
Operating Temperature	-20~+60 With 4W Touch -20~+60	°C
Backlight Type	LED	

#### ◇ Electrical Characteristics

Parameter	Symbol	Min	Typ	Max	Unit	Note
Input Voltage	Vin	+10	+12	+14	V	
Input Current	Iin		325		mA	@+12v
Output Voltage	VDD	+3.2	+3.3	3.4	V	I=10mA
Power Consumption			3.9		W	
Signal input Voltage	Video in		1		Vp-p	@75Ω
Analog RGB Input	RGB		0.7		Vp-p	@75Ω

◇ **Order Information**

Module No Parameter	LP056	LP056	LP056
Input Signal System	CVBS	CVBS	CVBS
	Analog RGB (DB-15)	Analog RGB (DB-15)	Analog RGB (DB-15)
Touch Panel Type	-	4W Resistive	4W Resistive
Touch Screen Interface	-	USB	RS232

◇ **Packing List**

Before you begin installing the KIT, please make sure that the following materials have been shipped:



- A. AC to DC Adapter (L:1500mm, 100-240VAC 50-60Hz to +12VDC @ 2.5A)
- B. Power Cord (L:1800mm, Plug Type B for USA)
- C. Video Cable (L:1800mm)
- D. VGA Cable (L:1600mm)
- E. USB Cable (L:1800mm)
- F. RS-232 Cable (L:1800mm)
- G. Touch Screen Driver CD Disk / User Manual

◇ Dimension Information

