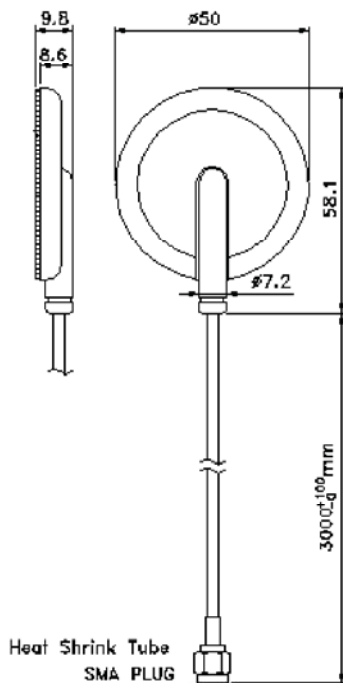


ISM/Glass Mount Antenna

Model No.: MEGAF-350XSA3X-920



Mechanical Drawing:



Unit : mm
DIM Ref. only

Electrical Specification:

Frequency Range	902~928MHz
Impedance	50Ω
V.S.W.R.	≤ 2.0
Radiation	Omni-directional
Gain	2 dBi
Polarization	Vertical
HPBW±3dB@E Plane	60°@902~928MHz@E Plane
HPBW±3dB@H Plane	60°@902~928MHz@H Plane

Mechanical Specification:

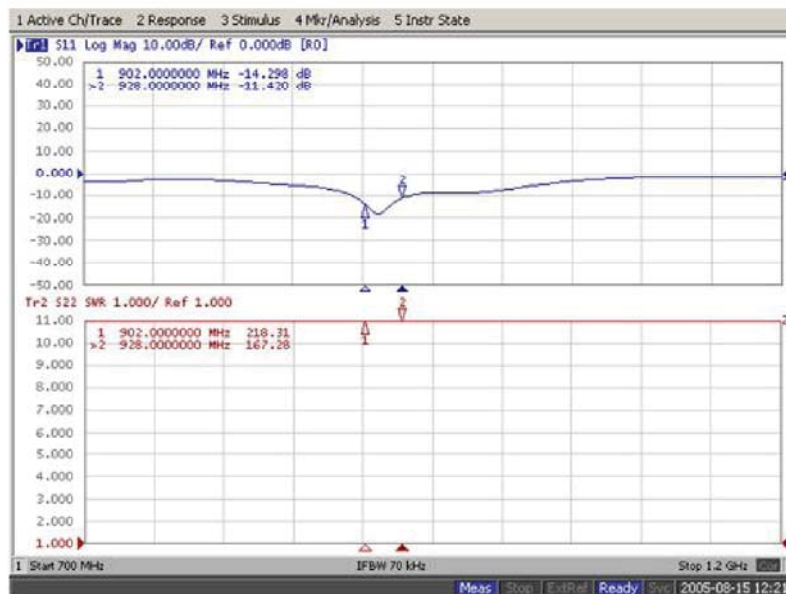
Connector	SMA Plug	
Cable	RG174 (3000mm)	
Bushing Type	-	
Water Proof	IP65	
Material	Cover	ABS
	Base	ABS
Weight(g)	60	

Environmental Specification:

Operating Temp	-20 ~ +65°C
Storage Temp	-30 ~ +70°C

Return loss

V.S.W.R.



ISM/Glass Mount Antenna

Model No.: MEGAF-350XSA3X-920



PATTERN

