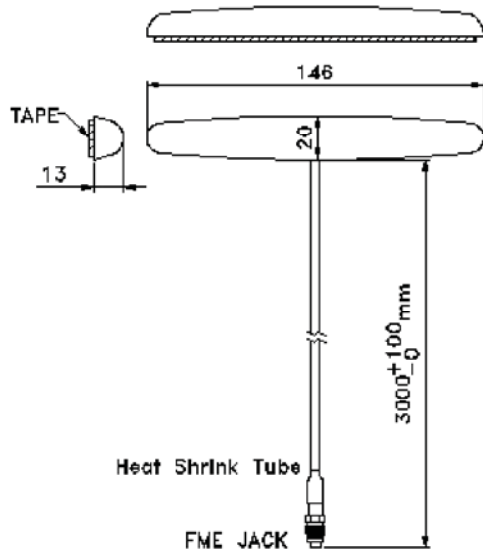


ISM/Glass Mount Antenna

Model No.: MEGAF-601XFM3X-920



Mechanical Drawing:



Electrical Specification:

Frequency Range	902~928MHz
Impedance	50Ω
V.S.W.R.	≤ 2.0
Radiation	Omni-directional
Gain	2 dBi
Polarization	Vertical

Mechanical Specification:

Connector	FME Jack
Cable	RG174 (3000mm)
Bushing Type	-
Water Proof	IP65
Material	Cover ABS Base ABS
Weight(g)	62

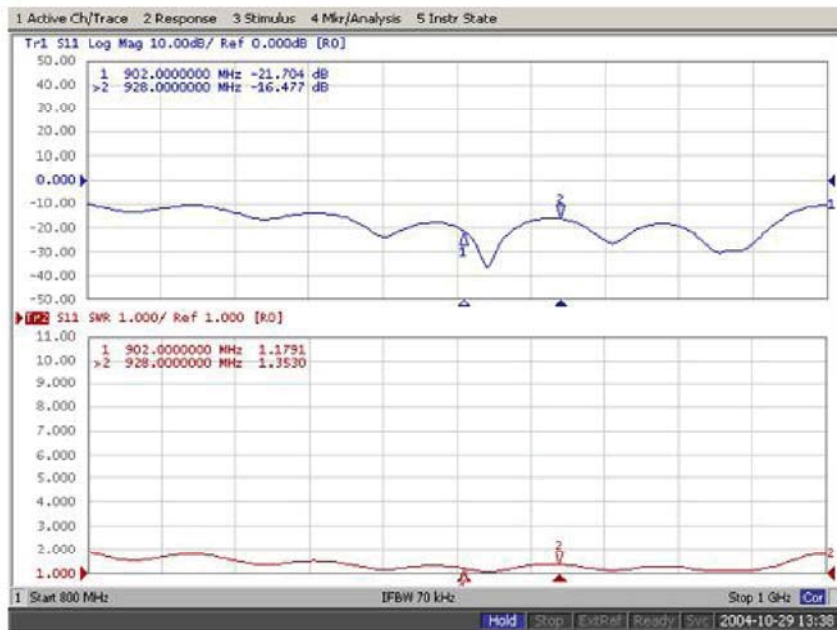
Environmental Specification:

Operating Temp	-20 ~ +65°C
Storage Temp	-30 ~ +70°C

Unit : mm
DIM Ref. only

Return loss

V.S.W.R.



ISM/Glass Mount Antenna

Model No.: MEGAF-601XFM3X-920



PATTERN

