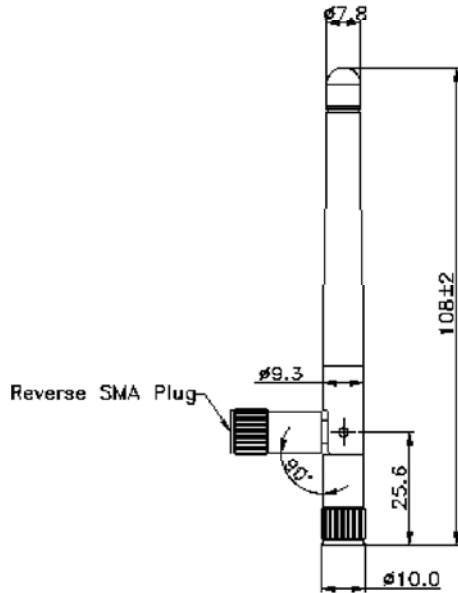


**ISM/Swivel Type, Replacement Antenna**

**Model No.:** MEGWX-241XRSXX-920



**Mechanical Drawing:**



**Electrical Specification:**

Frequency Range	902~928MHz
Impedance	50Ω
V.S.W.R.	≤ 2.0
Radiation	Omni-directional
Gain	Unity
Polarization	Vertical
HPBW±3dB@E Plane	60°@902~928MHz@E Plane
HPBW±3dB@H Plane	360°@902~928MHz@H Plane

**Mechanical Specification:**

Connector	SMA Plug (Reverse Polarity)	
Cable	-	
Bushing Type	Swivel 0°, 45°, 90°	
Water Proof	-	
Material	Cover	PU
	Base	PU
Weight(g)	9	

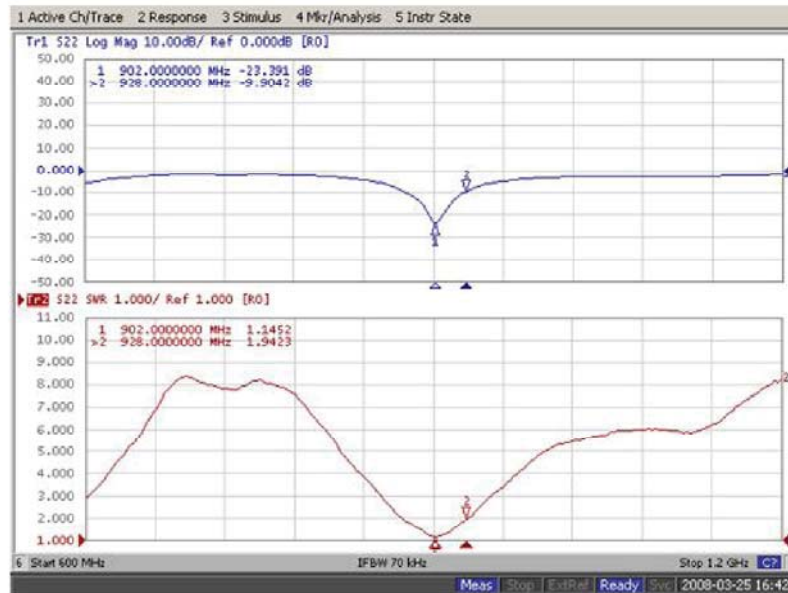
**Environmental Specification:**

Operating Temp	-20 ~ +65°C
Storage Temp	-30 ~ +70°C

Unit : mm  
DIM Ref. only

Return loss

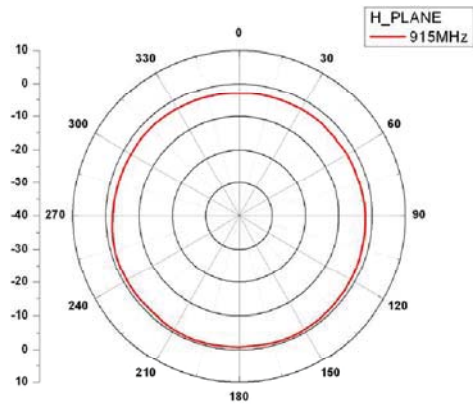
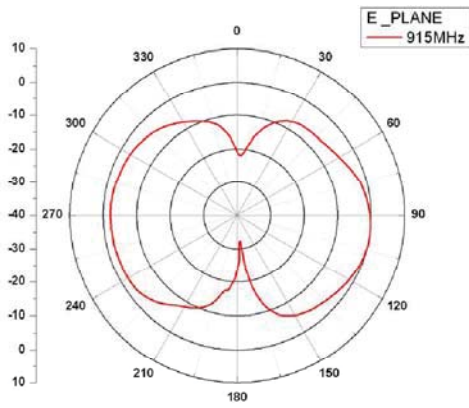
V.S.W.R.



**ISM/Swivel Type, Replacement Antenna**

**Model No.:** MEGWX-241XRSXX-920

PATTERN



for reference only