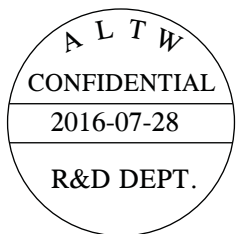
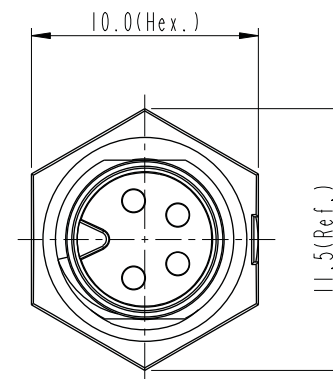
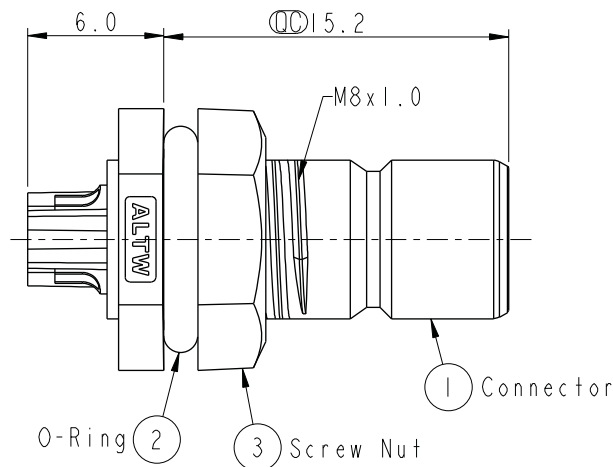
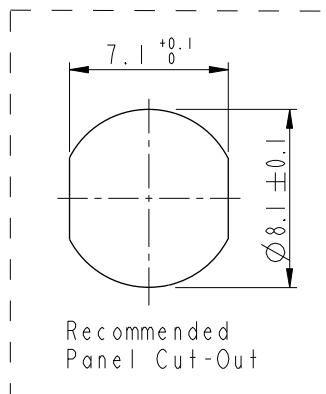


**For reference only**



REV.	ECN NO.	DATE	SIGN	DESCRIPTION
A	Initial Release	2016/06/30	Aric Ko	Rev.A
B	LEN1680170	2016/07/28	Aric Ko	Modify Drawing.



**Material Specification:**

- \* Connector: Thermoplastic
- \* Contacts: Copper Alloy, Gold Plated.
- \* O-Ring: Rubber
- \* UL Rated: UL 94V-0, fl
- \* Wire Range: 24AWG(2A), 20AWG(5A)
- \* RoHS Compliant

**Electrical Specification:**

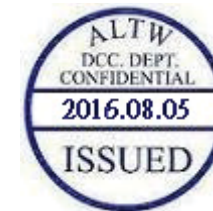
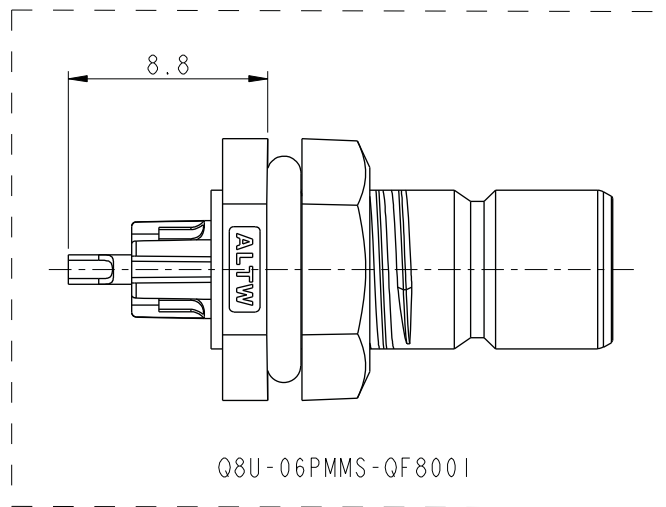
- \* Contact Resistance: 10mΩ Max.
- \* Insulation Resistance: 100MΩ Min.
- \* Dielectric Withstand Voltage: 1,000V Plus 2 Times the Rated Voltage.

**Mechanical Specification:**

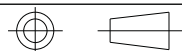
- \* Durability: 2,000 Cycles
- \* Torque Force for Nut: 6~8 kgf-cm
- \* Panel Thickness: 0.8~2.0mm

**Environmental Specification:**

- \* Waterproof Rating: IP68(Mated, 1M/24 Hours)
- \* Temperature Range: -40°C to 105°C
- \* Salt Spray: Mated, 500 Hours.
- \* Safety Compliance: UL 2238(Outdoor Use, UL 50e)



UNIT:mm



TITLE SIZE 8, RECEPTACLE(FRONT) HS-LOK, M CONN M PIN			
SCALE 3:1	SIZE A4	SHEET 1 OF 2	
REV. B	WC-REV. A.6	Ⓞ: Inspection item	

**Amphenol LTW**  
安費諾亮泰企業股份有限公司

ITEM NO	DRAWN BY Aric Ko	DATE 2016-07-28
DWG NO Q8XX-0XPMS-QF8001	CHECKED BY Victor Hung	DATE 2016-07-28
CUSTOMER ALTW	APPROVED BY Kevin Hu	DATE 2016-07-28

THIS DOCUMENT IS SUBJECT TO CHANGE WITHOUT NOTICE. IT IS CONFIDENTIAL AND A PROPERTY OF Amphenol LTW. DISCLOSURE TO THIRD PARTY HAS TO BE AUTHORIZED BY Amphenol LTW.

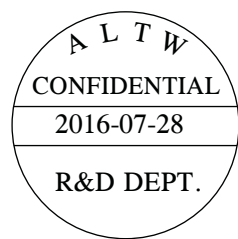
THIS DOCUMENT IS SUBJECT TO CHANGE WITHOUT NOTICE. IT IS CONFIDENTIAL AND A PROPERTY OF Amphenol LTW. DISCLOSURE TO THIRD PARTY HAS TO BE AUTHORIZED BY Amphenol LTW.



# For reference only

	5A, 300Vac/Vdc 2 Contacts(02) Wire Color Identification: 1.White, 2.Black
	5A, 300Vac/Vdc 3 Contacts(03) Wire Color Identification: 1.White, 2.Black, 3.Green
	5A, 300Vac/Vdc 4 Contacts(04) Wire Color Identification: 1.White, 2.Black, 3.Red, 4.Blue
	2A, 100Vdc 5 Contacts(05) Wire Color Identification: 1.White, 2.Black, 3.Red, 4.Blue, 5.Green
	2A, 100Vdc 6 Contacts(06) Wire Color Identification: 1.White, 2.Black, 3.Red, 4.Blue, 5.Green, 6.Brown
	5A, 300Vac + 2A, 100Vdc 2+3 Contacts(05) Wire Color Identification: 1.White, 2.Black, 3.Red, 4.Blue, 5.Green

Pin Assignments, Front View



Ordering Information:

Q8XX-0XPMS-QF8001  
 D: 5A      Number of Contacts  
 U: 2A      02  
 DU: 5A+2A :  
                  06

Mating Connector:

Overmolded with Cable: Q8XX-0XAFFM-QL8AXX

UNIT:mm		TITLE SIZE 8, RECEPTACLE(FRONT) HS-LOK, M CONN M PIN
TOLERANCE .X ±0.25 .XX ±0.1 .XXX ±0.05 ANGLES ±1°	SCALE 1:1	SIZE A4
	REV. B	SHEET 2 OF 2
	WC-REV. A.1	☉: Inspection item

**Amphenol LTW**  
 安費諾亮泰企業股份有限公司

ITEM NO	DRAWN BY Aric Ko	DATE 2016-07-28
DWG NO Q8XX-0XPMS-QF8001	CHECKED BY Victor Hung	DATE 2016-07-28
CUSTOMER ALTW	APPROVED BY Kevin Hu	DATE 2016-07-28