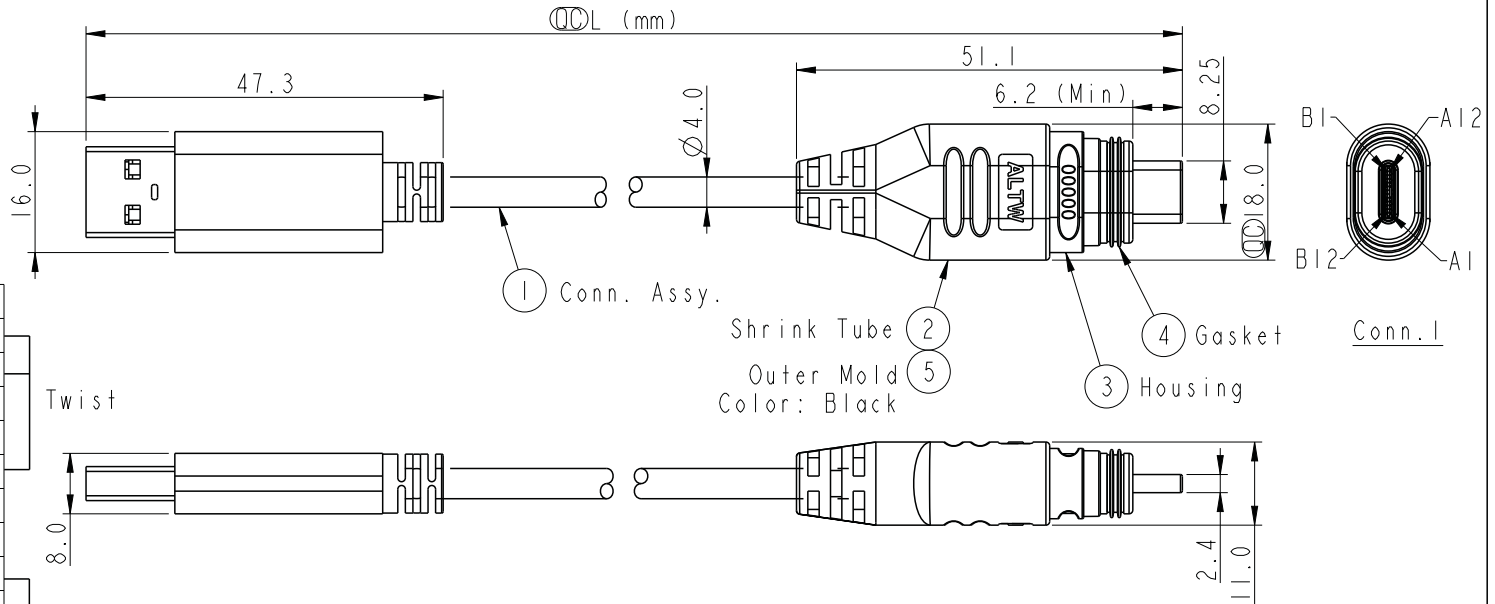
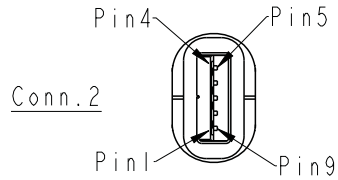




For reference only

REV.	ECN NO.	DATE	SIGN	DESCRIPTION
A	Initial release	2016/05/18	Doreen	New item



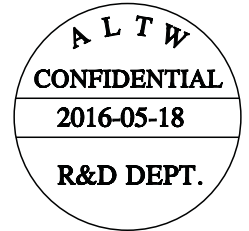
Shield	Braid	編織	Shield
9	Blue	藍	B11
8	White	白	B10
7	Drain	地線	B12
			B1
			A12
			A1
			B12
6	Blue	藍	A2
			A3
			B12
5	White	白	B1
			A12
			A1
4	Drain	地線	B1
			A12
			A1
3	Green	綠	A6
			A7
			B9
2	White	白	B4
			A9
			A4
1	Red	紅	
Conn. 2	Wire Color		Conn. 1

Jump Wire

Part Number: UC-30AMM-QD8BXX

Cable length--XX: 01~03 Meters
 01: 1 Meter
 02: 2 Meters
 03: 3 Meters
 Cable Length tolerance: 1~3M±50mm

- Note:
- * \varnothing Important Dimension
 - * Conn.1: USB Type C, Plug
 - * Housing: PP, UL94 V-0, Black
 - * Gasket: Silicone, Gray
 - * Waterproof Rate: IP68(Mated)(under water ,1M 24H)
 - * Conn.2: USB Type A 3.0, Plug
 - * Non-waterproof.
 - * Cable: (USB3.0) (30AWG*2C+D+A1/My)*2+32AWG*IP +23AWG*1C+D+A1/My+B,PVC Jacket, OD=4.0mm, Black



UNIT:mm		TITLE	USB TYPE C TO USB 3.0 TYPE A PLUG	
TOLERANCE	±0.5	SCALE	1:1	SHEET 1 OF 1
REV.	A	WC-REV.	A.25	\varnothing : Inspection item

Amphenol LTW
 安費諾亮泰企業股份有限公司

ITEM NO	DRAWN BY	DATE
DWG NO	Ann	2016/02/18
CUSTOMER	CHECKED BY	DATE
ALTW	Jush	2016/02/18
	APPROVED BY	DATE
	Lisa	2016/02/18

THIS DOCUMENT IS SUBJECT TO CHANGE WITHOUT NOTICE. IT IS CONFIDENTIAL AND A PROPERTY OF AMPHENOL LTW. DISCLOSURE TO THIRD PARTY HAS TO BE AUTHORIZED BY AMPHENOL LTW.