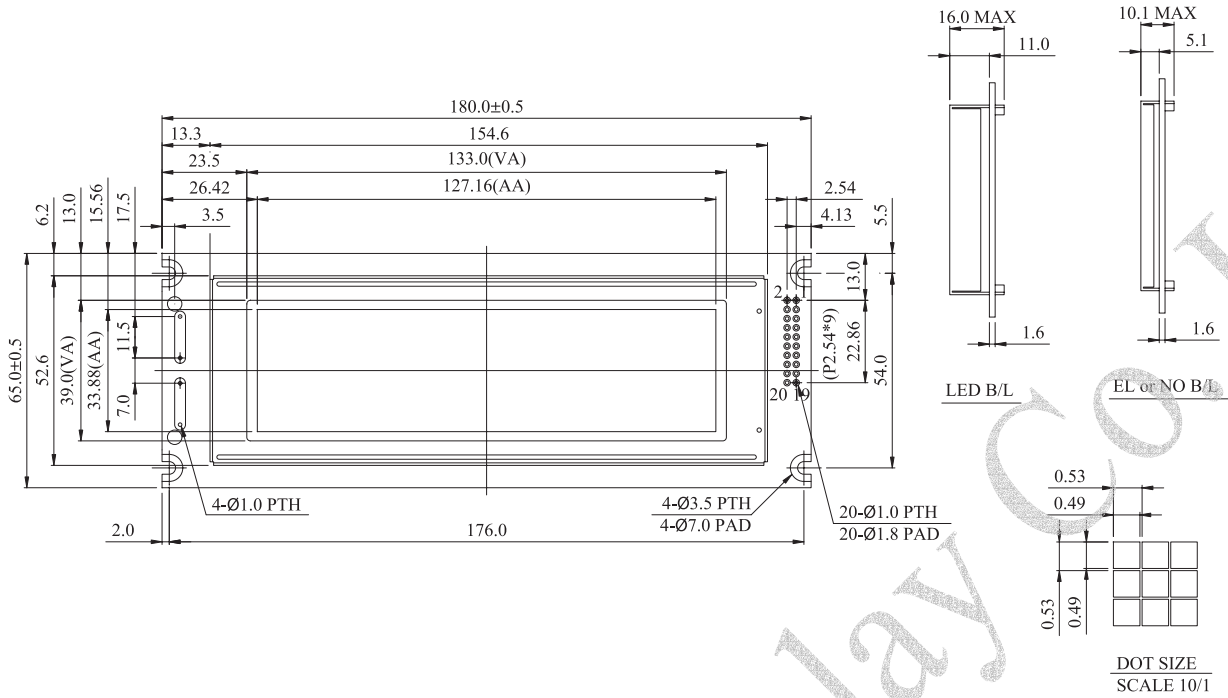




# WG24064G Graphic 240x64 dots

## Dimension drawing



### Feature

1. Built-in controller RA8822 or equivalent
2. +5V power supply 2.7~5.0(selectable)
3. 1/64 duty cycle
4. Built-in N/V.
5. Chinese Version

### Mechanical Data

Item	Standard Value	Unit
Module Dimension	180.0x65.0	mm
Viewing Area	133.0x39.0	mm
Dot Size	0.49x0.49	mm
Dot Pitch	0.53x0.53	mm
Mounting hole	176.0x54.0	mm

Graphic type

Pin NO.	Symbol	Function
1	A	Power Supply for B/L
2	Vss	GND
3	Vdd	Power Supply for logic
4	Vo	Operating voltage LCD driving
5	WR	8080family:Read signal, 6800family:Enable clock
6	RD	8080family:write signal, 6800family:R/W signal
7	CE	Chip enable
8	C/D	Hi:instruction L:data
9	VEE	Negative voltage output
10	RES	Reset
11	DB0	DB0 Data bus line
12	DB1	DB1 Data bus line
13	DB2	DB2 Data bus line
14	DB3	DB3 Data bus line
15	DB4	DB4 Data bus line
16	DB5	DB5 Data bus line
17	DB6	DB6 Data bus line
18	DB7	DB7 Data bus line
19	Busy	Ra8802 statis
20	INT	programable interrupt output

### Absolute Maximum Rating

Item	Symbol	Standard Value			Unit
		min.	typ.	max.	
Power Supply	VDD-VSS	4.75	5.0	5.25	V
Input Voltage	VI	-0.3	---	VDD	V

Note : VSS=0 Volt, VDD=5.0 Volt.

### Electronical Characteristics

Item	Symbol	Condition	Standard Value			Unit
			min.	typ.	max.	
Input Voltage	VDD	L level	0.7VDD	---	VDD	V
	VIO	H level	0	---	0.3VDD	V
Supply Current	IDD	VDD=5V	---	29	---	mA
Recommended LC Driving Voltage for Normal Temp. Version module	VDD-Vo	-20°C	13.0	13.5	14.1	V
		0°C	12.5	13.1	13.7	
		25°C	---	12.5	---	
		50°C	11.1	12.2	13.0	
LED Forward Voltage	VF	25°C	---	4.2	4.6	V
		70°C	9.1	11.6	12.8	
LED Forward Current	IF	25°C	---	450	900	mA
		25°C	---	215	650	
CCFL	IF	25°C	---	---	5.0	
		25°C	---	---	5.0	
EL	IEL	Vel=110VAC;400Hz	---	---	5.0	mA