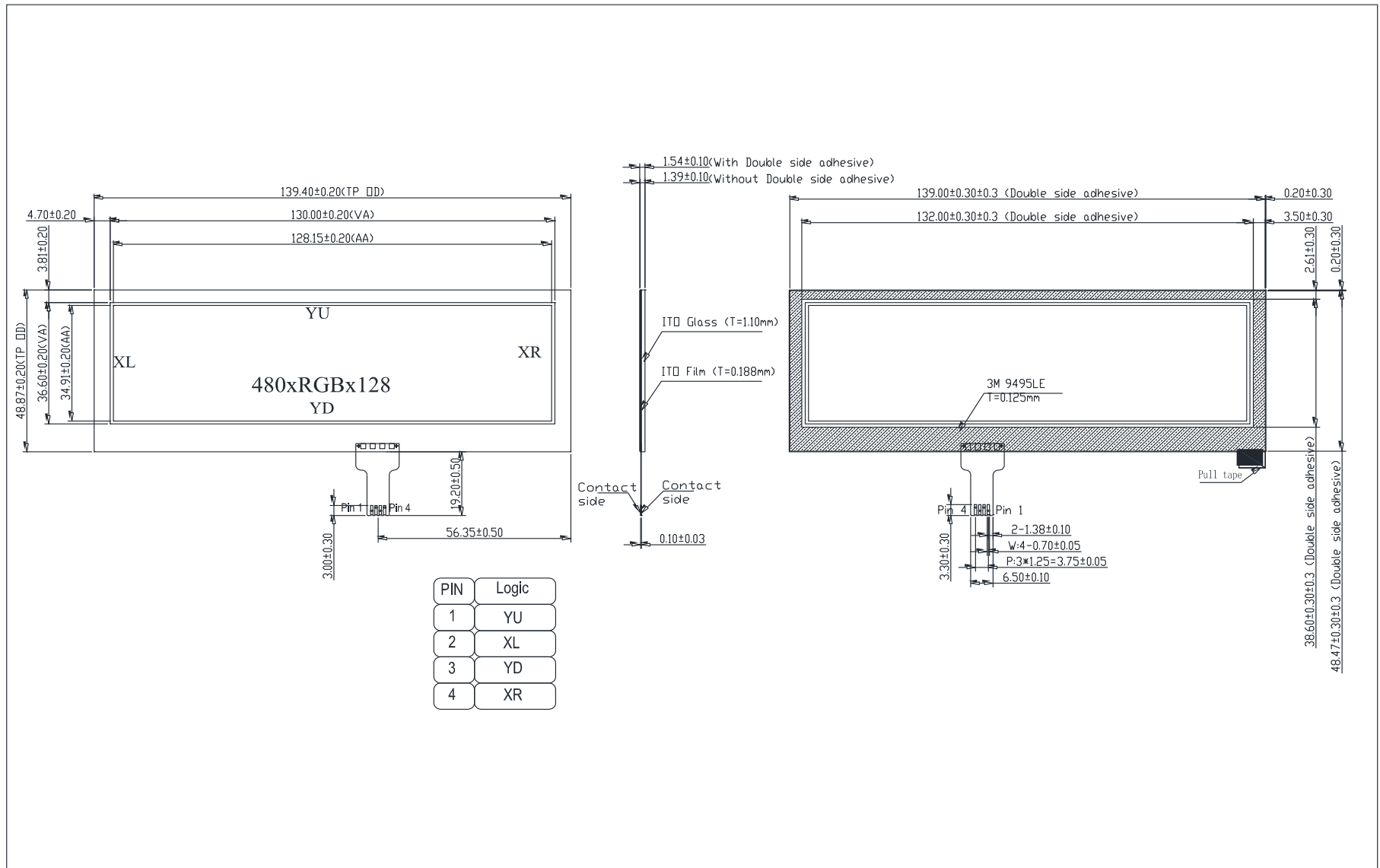
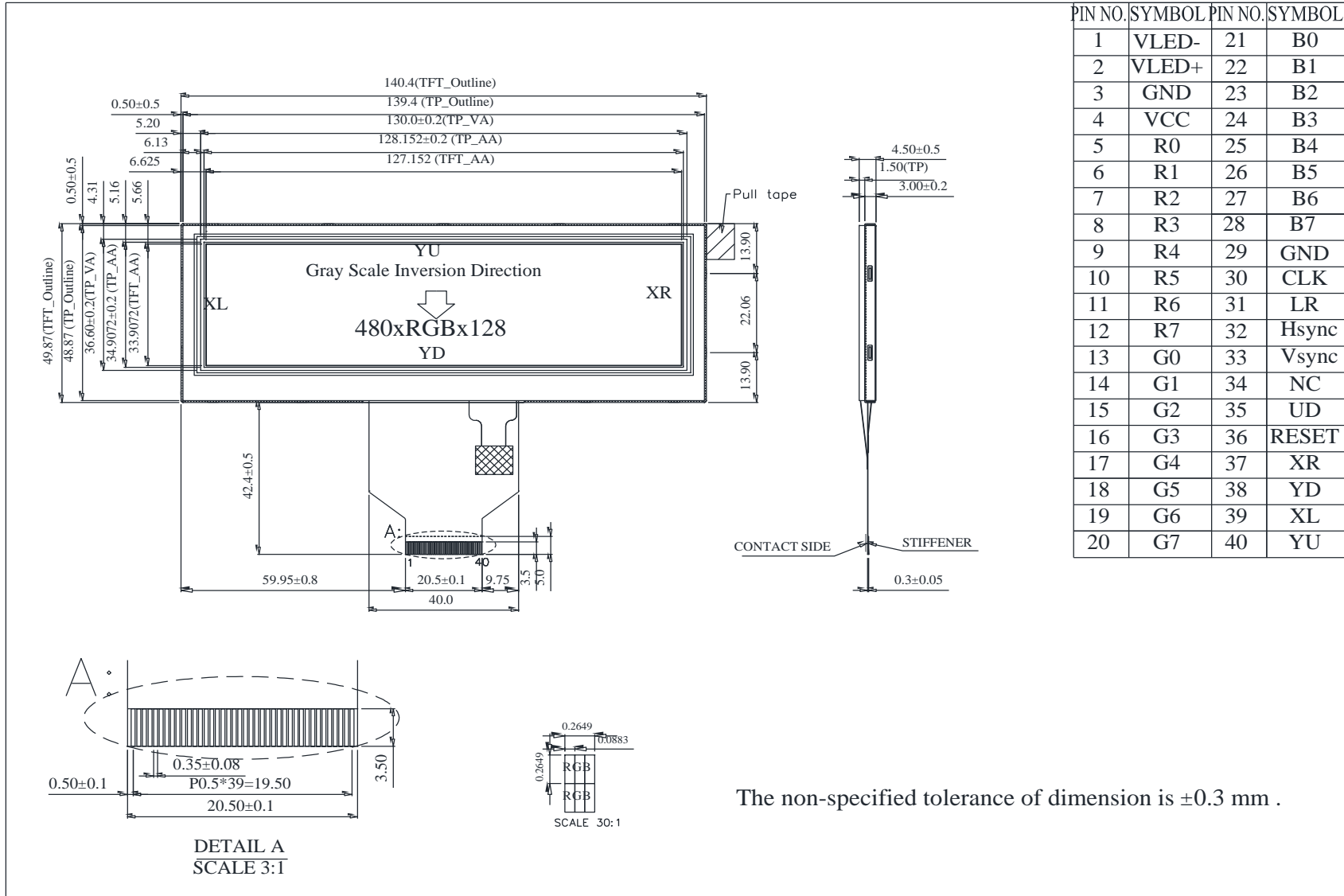
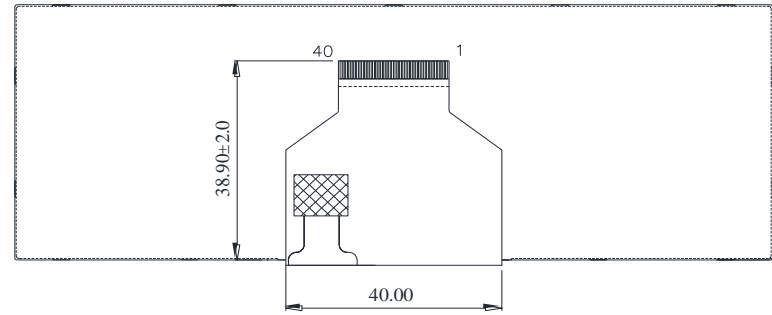
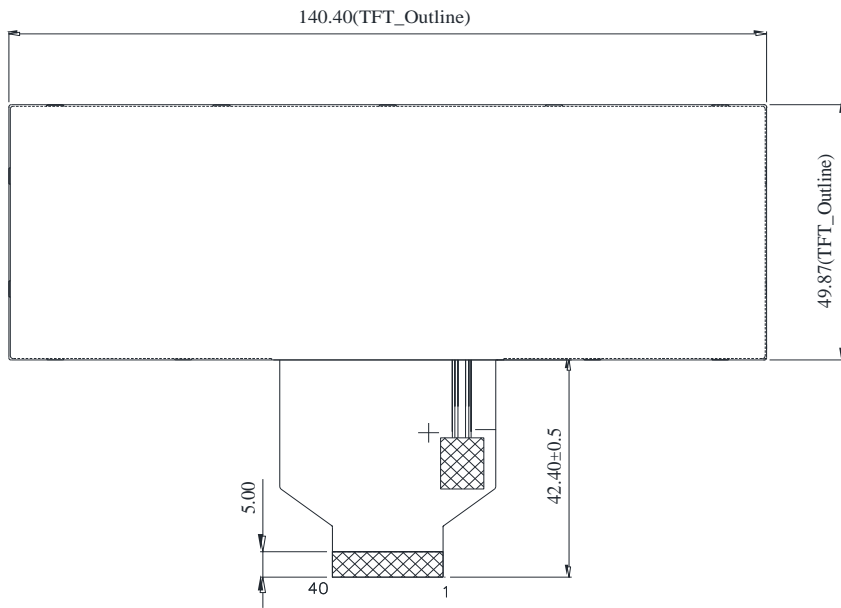


12.Touch Panel Information



13. Contour Drawing





The non-specified tolerance of dimension is ± 0.3 mm .