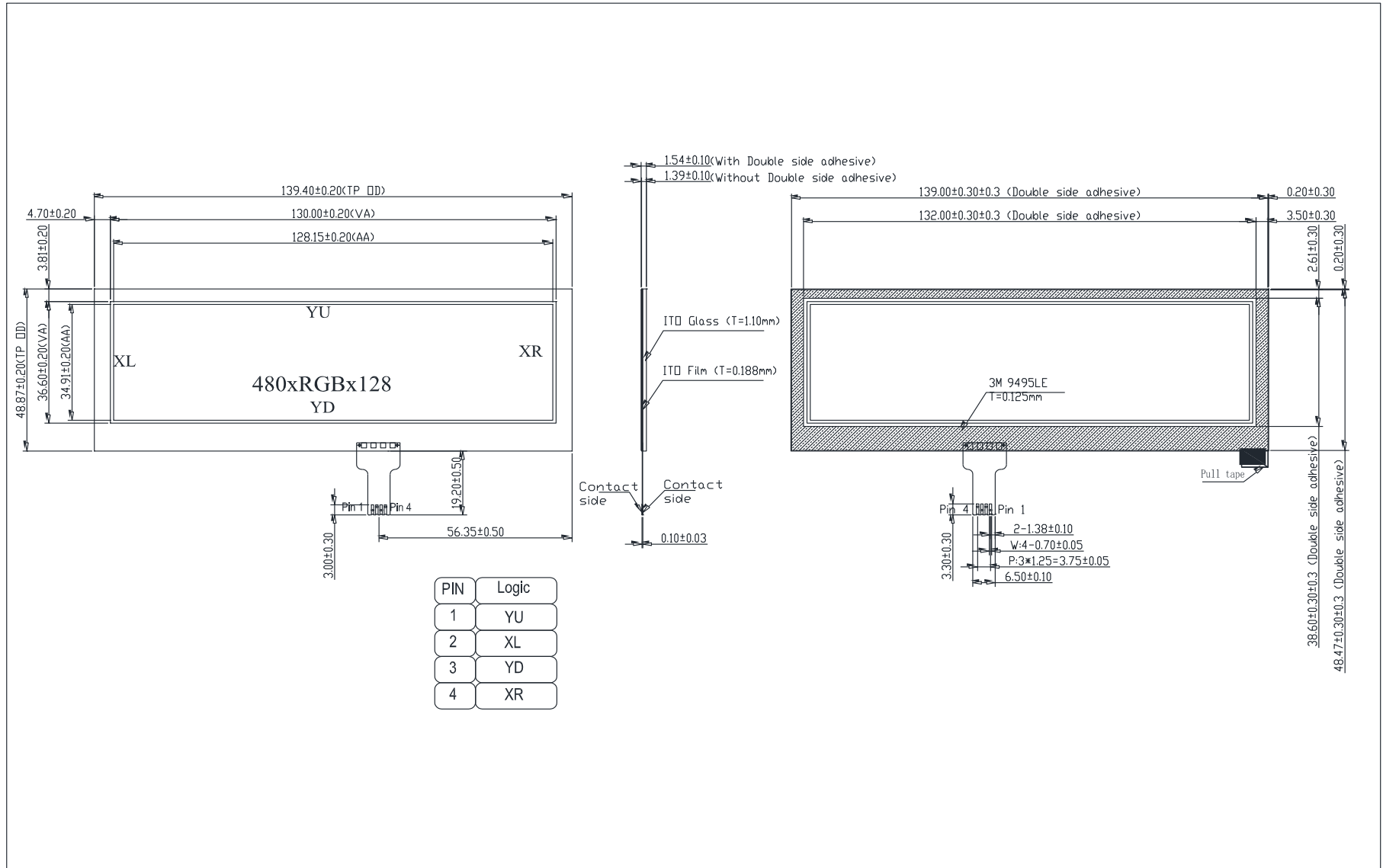
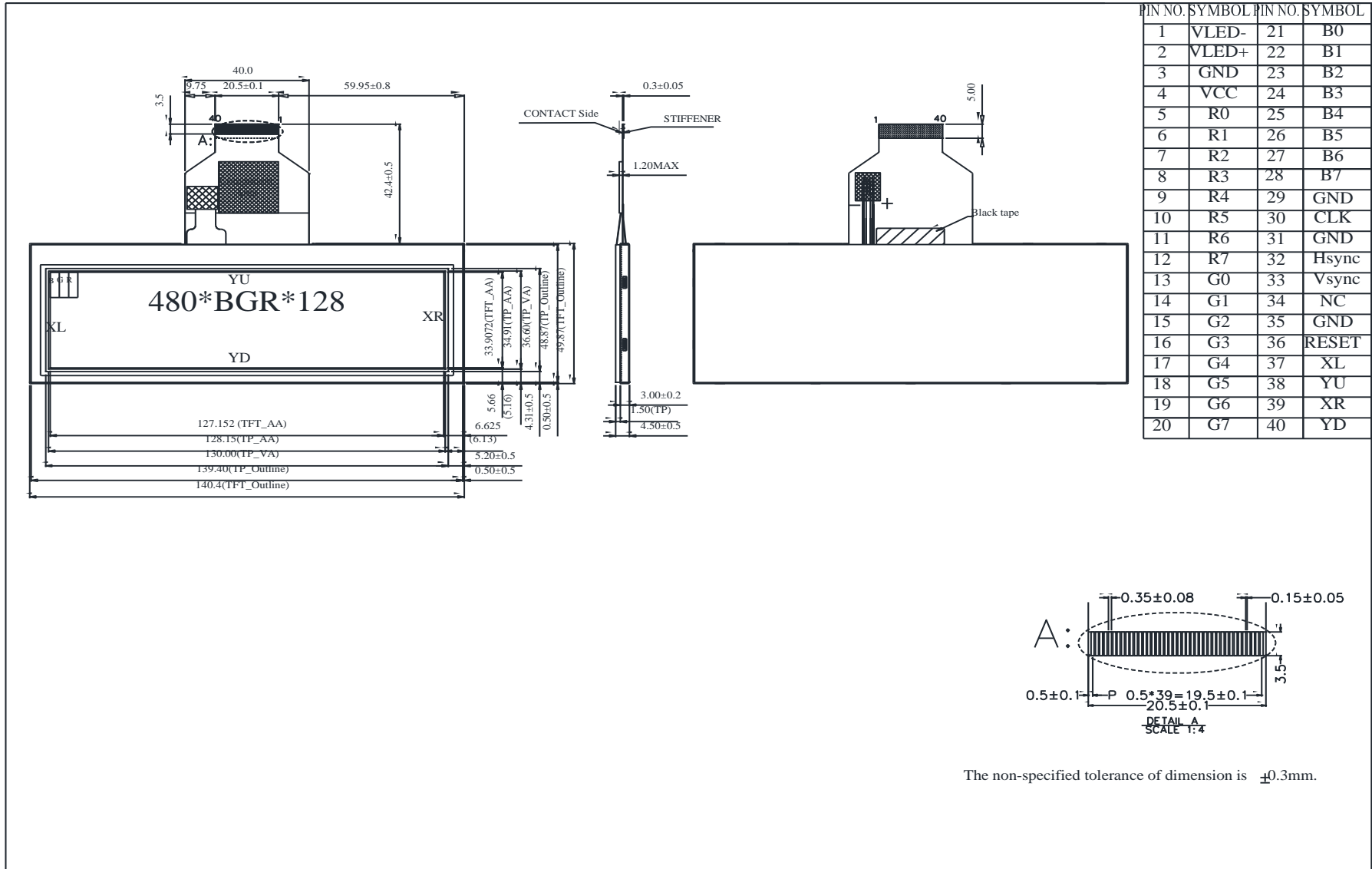


# 12.Touch Panel Information



# 13. Contour Drawing



The non-specified tolerance of dimension is ±0.3mm.