

Product information

General information

Item	Standard Value	Unit
Operating voltage	8~35	Vdc
Communication Interface	UART	--
MCU	STM32F746	N/A
Flash Memory	32	MB
SDRAM Frequency	100	MHz
LCD display size	7.0	inch
Dot Matrix	1024 x RGB x 600(TFT)	dot
Module dimension	184.1(W) x 103.8(H) x 22(D)	mm
Active area	154.2144 x 85.92	mm
Dot pitch	0.1506 x 0.1432	mm
Brightness	Min:400; Typ:450	cd/m ²
LCD type	TFT, Normally Black, Transmissive	
View Direction	85/85/85/85	
Aspect Ratio	16:9	
Touch Panel	Projected Capacitive Touch Panel (PCAP)	
Surface	Glare	

Absolute Maximum Ratings

Item	Symbol	Min	Typ	Max	Unit
Operating Temperature	TOP	-20	—	+70	°C
Storage Temperature	TST	-30	—	+80	°C

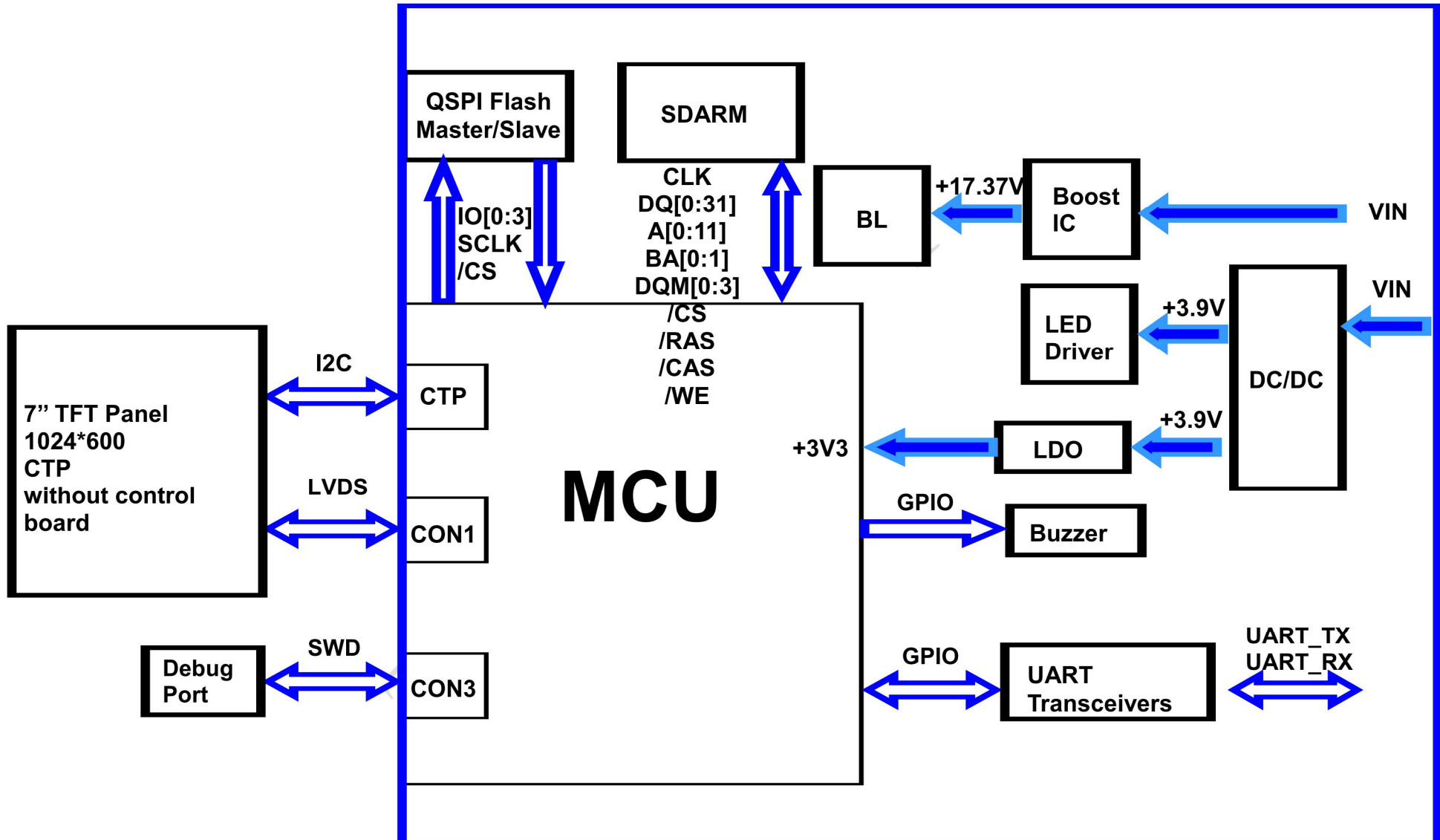
Electrical Characteristics

Item	Symbol	Condition	Min	Typ	Max	Unit
Supply Voltage	VIN	—	8	12	35	V
Supply current	I(mA)	—	—	490	—	mA

BOM

Item	Description
LCM	WF70A8TYAHLNGB#
PCBA	SV10007R00A8C00N0108

Block diagram



Interface

CON2 definition:

Pin	Symbol	Function	Remark
1	VIN	Power +8V~35V	Input
2	GND	Power GND	--
3	Reserve	-	-
4	Reserve	-	-
5	GND	Power supply GND input	GND
6	GND	Power supply GND input	GND
7	Reserve	-	-
8	Reserve	-	-
9	VBUS	Power supply 5V input	Input
10	UART_RX	UART RX interface	I/O
11	UART_TX	UART TX interface	I/O
12	GND	Power supply GND input	Input
13	VIN	Power supply 8V to 35V input	Input
14	Reserve	-	-
15	Reserve	-	-
16	GND	Power supply GND input	Input

CON3 definition:

Pin	Symbol	Function	Remark
1	+3V3	3.3V power for JTAG interface	Output
2	SWCLK	CLK pin for JTAG interface	Input
3	GND	GND for JTAG interface	Output
4	SWDIO	Data pin for JTAG interface	I/O
5	NRST	Reset pin for JTAG interface	Input
6	GND	Power GND	Output
7	Wkup	WKup,ADC,Timer,Event,I/O	Input
8	BOOT0	Lo: Internal flash boot (Default) Hi: External flash boot	Input
9	IO_0	ADC,DAC,Timer,Event,I/O @3.3V	I/O
10	IO_1	ADC,Timer,Event,I/O @3.3V	I/O
11	IO_2	ADC,Timer,Event,I/O @3.3V	I/O
12	IO_3	ADC,Timer,Event,I/O @3.3V	I/O
13	IO_4	ADC,Timer,Event,I/O @3.3V	I/O
14	IO_5	ADC,Timer,Event,I/O @3.3V	I/O
15	IO_6	ADC,Timer,Event,I/O @3.3V	I/O
16	IO_7	RST,ADC,Event,I/O @3.3V	I/O

@3.3V : I/O allow below 3.3V input, If exceeding 3.3V may cause MCU damage